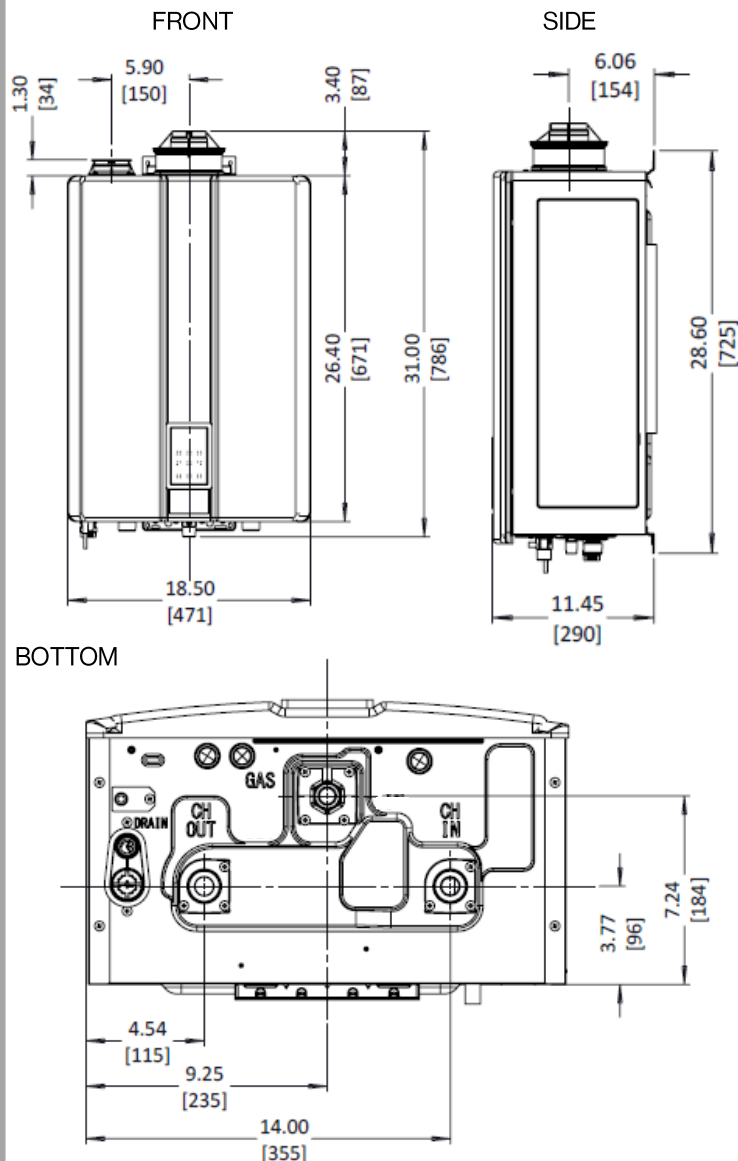




### DIMENSIONS

Measurements: in. (mm)



### CONDENSING WALL-MOUNTED, GAS-FIRED SOLO BOILER

Models	i060S, i090S, i120S, i150S
Appliance Type	Wall-Mounted, Gas-Fired Solo Boiler
Installation	Indoor
Gas Types	Natural Gas (or Propane with field conversion)
Standard Features	<ul style="list-style-type: none"> <li>Outdoor Reset Control System with Sensor</li> <li>Modulating Wire Mesh Burner</li> <li>Stainless Steel Water Tube Condensing Heat Exchanger</li> <li>Direct Vent Sealed Combustion</li> <li>Approved for Room and Closet Installations</li> </ul>

Included with Purchase	<ul style="list-style-type: none"> <li>Condensing Gas Boiler</li> <li>Liquid Propane Field Conversion Kit</li> <li>Wall Mounting Bracket</li> <li>CH Pressure Relief Valve (30 PSI)</li> <li>Outdoor Temperature Sensor</li> <li>Vent Top with Integrated 2 in. PVC or 3 in. x 5 in. Concentric Vent Adapter</li> <li>Documentation: Installation and Operation Manual, User Manual</li> </ul>
------------------------	--

Optional Accessories	<ul style="list-style-type: none"> <li>Primary-Secondary Heating Kit (PN: 0783907), Condensate Neutralizer, ScaleCutter, ScaleCutter Refill Cartridge, and Isolation Valve Kit</li> </ul>
----------------------	---

Venting Options	<ul style="list-style-type: none"> <li>Direct Vent (Concentric and Twin Pipe)</li> <li>Room Air</li> <li>Ubbink Flex Vent</li> <li>Materials: Polypropylene, Stainless Steel, PVC, CPVC</li> </ul>
-----------------	--

Refer to the "Rinnai I-Series Boiler Installation and Operation Manual" for approved venting.

### Maximum Equivalent Vent Lengths

Concentric, Twin Pipe, and Room Air:

Vent Sizes	<ul style="list-style-type: none"> <li>2 in. PVC</li> <li>2 in. (60 mm) PP</li> <li>2 in. x 4 in. Concentric</li> </ul>	<ul style="list-style-type: none"> <li>3 in. PVC</li> <li>3 in. (80 mm) PP</li> <li>3 in. x 5 in. Concentric</li> </ul>
Vent Lengths	65 ft (20 m)	150 ft (46 m)

Flex:

Vent Sizes	2 in. PP
Vent Lengths	50 ft (15 m)

45° elbow equivalent to 3 ft (1m). 90° elbow equivalent to 6 ft (2m).



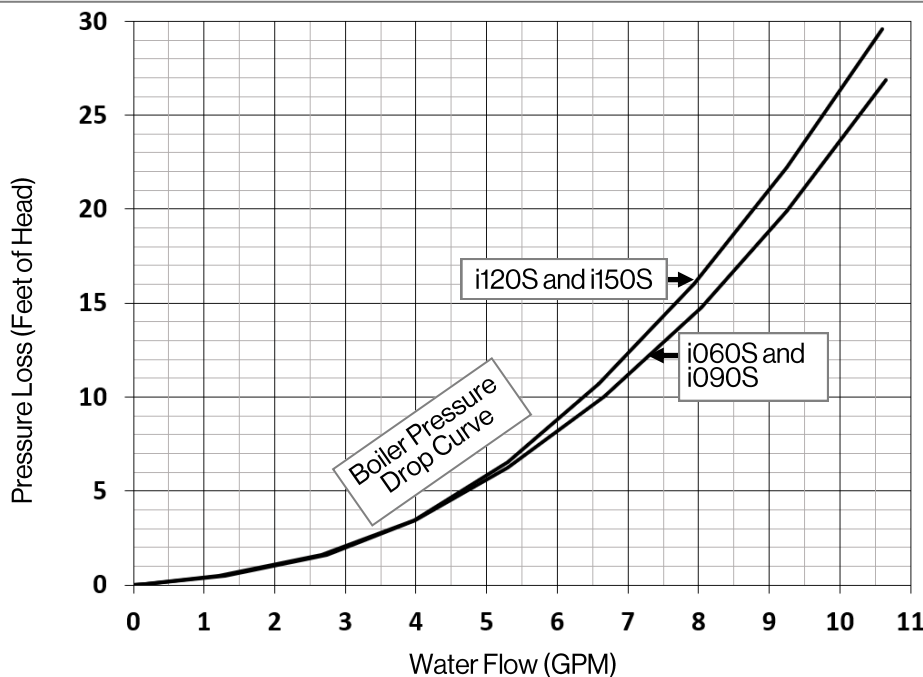
CERTIFIED TO ANSI Z21.13 — CSA 4.9

## TECHNICAL SPECIFICATIONS

Model		i060S	i090S	i120S	i150S
Dimensions - w, h, d	Unit	18.5 in. x 26.4 in. x 10.9 in. (471 mm x 675 mm x 276 mm)			
	Shipping	21.7 in. x 33.5 in. x 14.6 in. (552 mm x 852 mm x 370 mm)			
Weight	Unit	59.2 lb (27 kg)		62.0 lb (28 kg)	
	Shipping	66.1 lb (30 kg)		68.3 lb (31 kg)	
Appliance Type		Wall-Mounted, Gas-Fired Solo Boiler			
Installation Type		Indoor			
Ignition System		Direct Electronic Ignition			
Heat Exchanger Surface Area		9.3 sq ft		10.9 sq ft	
Gas Consumption (Btu/hr)	Minimum	15,000			
	Maximum	60,000	90,000	120,000	150,000
Heating Capacity		57,000	84,000	112,000	138,000
Temperature Setting (CH)		(Min - Max) 104°F - 180°F (40°C - 82°C)			
Water Content		0.75 gal		0.88 gal	
Water Supply Pressure	CH	Minimum: 13 PSI (90 kPa) Maximum: 45 PSI (310 kPa) Recommended: 17 - 26 PSI (117 - 180 kPa)			
	Pressure Relief Valve	30 PSI (207 kPa)			
Sound Level		37 dB(A)	41 dB(A)	40 dB(A)	42 dB(A)
Electrical Data	Normal (CH)	36 W	50 W	50 W	50 W
	Standby	4 W			
	Max Current	6 Amps			
	Fuse	10 Amps x 2			
Turndown Ratio (TDR)		4.0:1	6.0:1	8.0:1	10.0:1
AFUE		95.1	95.9	95.5	96.0
Gas Supply Pressure <sup>1</sup>	Natural Gas	3.5 in. - 10.5 in. W.C. (0.87 - 2.61 kPa)			
	Propane	8.0 in. - 13.5 in. W.C. (1.99 - 3.36 kPa)			
Electric Connections		AC 120 Volts, 60 Hz			
Certifications		ANSI Z21.13, CSA 4.9, ASME			

<sup>1</sup> Maximum gas supply pressure must not exceed the value specified by the manufacturer.

## PRESSURE DROP CURVE AND WATER FLOW CURVE



\*External boiler pump required.

## FEATURES

### ■ Faster, Easier Installation

- Compact & lightweight design
- Convenient mounting bracket
- NPT threads for connection points
- More flexible venting options
- Simplified parameters for commissioning and setup

### ■ Clearances

- Top: 2 in. (51 mm)\*
- Bottom: 12 in. (305 mm)
- Front: 6 in. (152 mm)\*\*
- Back: 0 in.
- Sides: 2 in. (51 mm)
- Vent: 0 in.

\* 0 in. from vent components.  
6 in. (152 mm) for closet installations.

\*\* Clearance for servicing is 24 in. (610 mm) in front of boiler.

### ■ Warranty

Residential:

- Heat Exchanger: 12 Years
- All Other Parts/Components: 5 Years
- Labor: 1 Year

Commercial:

- Heat Exchanger: 5 Years
- All Other Parts/Components: 5 Years
- Labor: 1 Year

### ■ Important

- If the boiler is to be installed in a system that has multiple zones, a Closely Spaced Tee/Manifold Kit is recommended to be installed.

CH = Central Heating  
PRV = Pressure Relief Valve