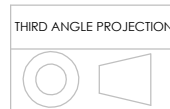
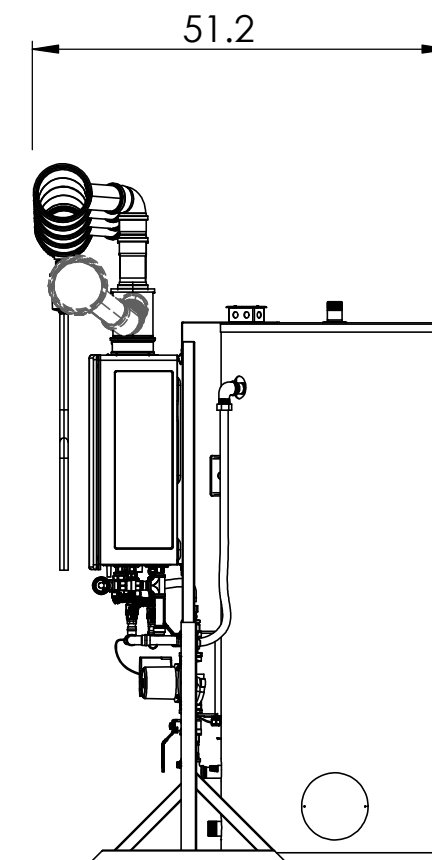
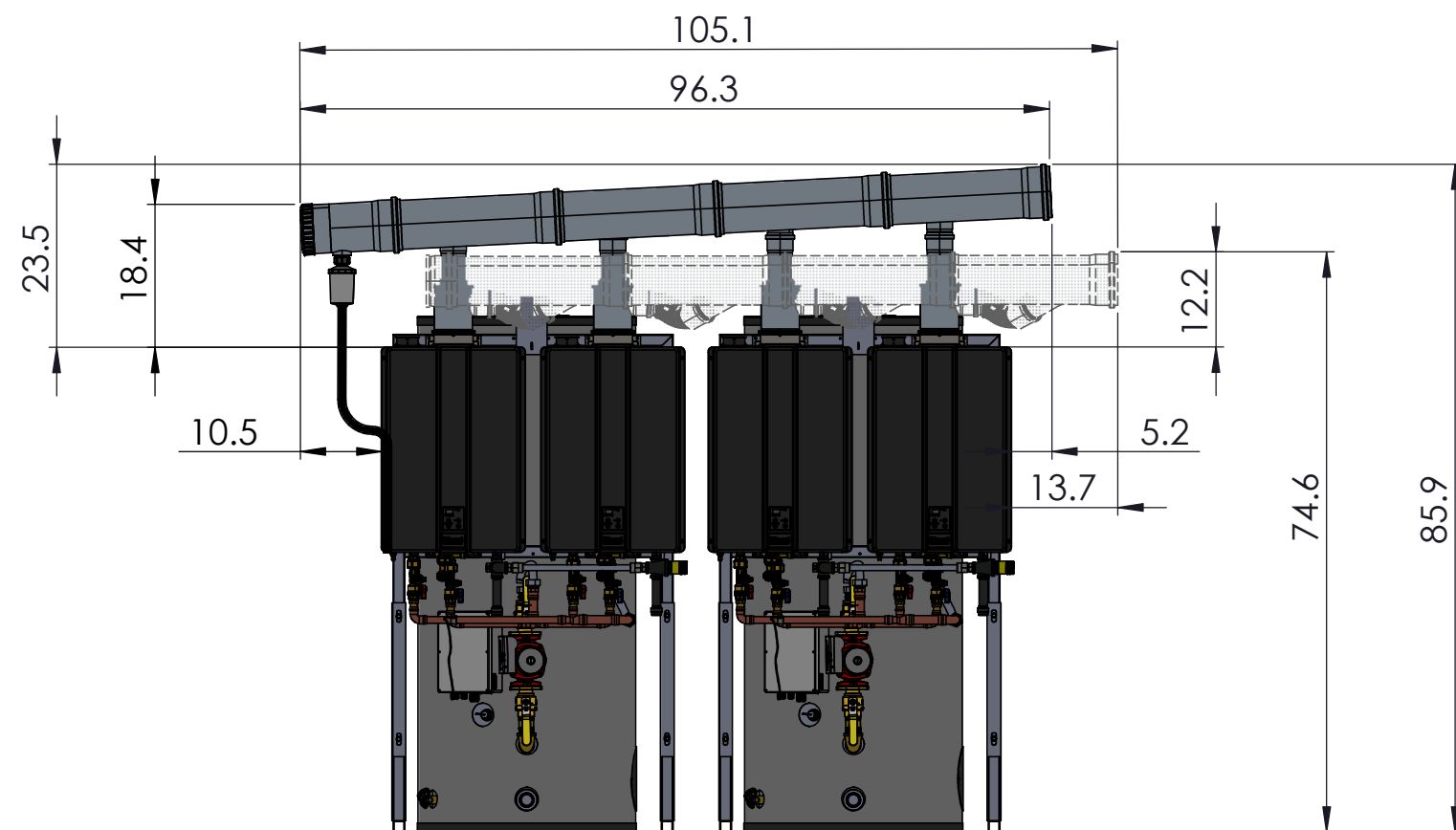
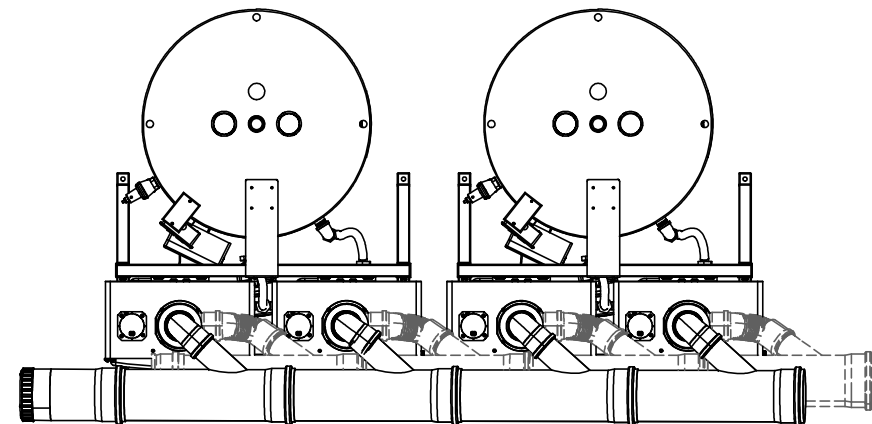


ALL DIMENSIONS ARE IN INCHES.



LAST REVISION COMMENTS

UNLESS OTHERWISE SPECIFIED:

NAME DATE

TOLERANCES:
 Sheet Metal X.XX = ±0.030
 X.XXX = ±0.010
 Fraction = ±1/32
 Angle = ± 1.0°
 MACHINED X.XXX = ±0.005
 Angle = ± 0.010°

DRAWN AB 08/15/2018

CHECKED

ENG APPR.

MFG APPR.

Q.A.

COMMENTS:

INTERPRET GEOMETRIC TOLERANCING PER:

MATERIAL

FINISH

DO NOT SCALE DRAWING

Rinnai

TITLE:
Systems Design Manual
 Common Vent Dimensions

SIZE	DWG. NO.	REV
B	CHSDD-2-CV	

SCALE: 1:25	WEIGHT:	SHEET 1 OF 1
-------------	---------	--------------

RINNAI AMERICA CORPORATION
 103 INTERNATIONAL DRIVE
 PEACHTREE CITY, GA 30269
 1-800-621-9419

PROPRIETARY AND CONFIDENTIAL

THE INFORMATION CONTAINED IN THIS DRAWING IS THE SOLE PROPERTY OF RINNAI AMERICA. ANY REPRODUCTION IN PART OR AS A WHOLE WITHOUT THE WRITTEN PERMISSION OF RINNAI AMERICA IS PROHIBITED.

8 7 6 5 4 3 2 1

D
C
B
A

D
C
B
A

8 7 6 5 4 3 2 1