

Builder's Specification

R75LSi (REU-VB2828FFUD-US)

Type of Appliance	Temperature controlled, continuous flow, gas hot water system	
Minimum/Maximum Gas Rate (Input)	9,900 - 180,000 BTU/h (Natural Gas) 10,300 - 180,000 BTU/h (Propane Gas)	
Electrical	Appliance:	AC 120 Volts - 60 Hz
	Remote Control:	DC 12 Volts
	Power cord length:	66 inches (1.68 m)
Electrical Consumption	Normal	76 watts
	Standby	2 watts
	Anti-frost protection	184 watts
Ignition System	Direct electronic ignition	
Hot Water Capacity	Minimum flow rate: 0.26 GPM	Maximum flow rate: 7.5 GPM
	Minimum activation flow rate: 0.4 GPM	
Approved Gas Types	Natural or Propane (ensure unit matches gas type)	
Service Connections	Gas supply: 3/4 inch MNPT	Cold water inlet: 3/4 inch MNPT
	Hot water outlet: 3/4 inch MNPT	
Minimum/Maximum Water Supply Pressure	20 - 150 PSI (30-80 PSI for maximum performance)	
Remote Control Cable	Non-polarized two-core cable (minimum 22 AWG)	
Remote Controls	MC-91-1US (included)	} 98° - 140° F
	Deluxe controller: MC-100V-1US (optional)	
	Bathroom controller: BC-100V-1US (optional)	} 98° - 160° F
	MCC-91-1US (for commercial applications)	
Clearances from combustibles (suitable for closet, attic, and crawl space installations)	<ul style="list-style-type: none"> • Top of heater - 6 inches • Front of heater - 6 inches • Sides of heater - 2 inches 	
Clearances from non-combustibles	<ul style="list-style-type: none"> • Top of heater - 2 inches • Front of heater - 6 inches • Sides of heater - 1/2 inches 	
Min. / Max. Gas Supply Pressure	Natural Gas: min 5" W.C.	max 10.5" W.C.
	Propane Gas: min 8" W.C.	max 13.5" W.C.
Energy Factor	Natural Gas: 0.82	Propane: 0.82

ACCESSORIES

Rinnai Installation Kit (RIK): provides isolation valves, pressure relief valve, and full port drains with easy union installation.

Ubbink Rolux Venting: concentric plastic or metal vent components

EZConnect: for 2 unit installations

Pipe Cover: for finished look

MSA Controller: for multiple unit installations

Wall Thimble: for installing venting through the wall

NOTE: A condensate trap is incorporated.

Rinnai is continually updating and improving products; therefore, specifications are subject to change without prior notice. Local, state, provincial and federal codes must be adhered to at installation.

These specifications are provided for planning purposes. Refer to the Operation / Installation Manual for additional information.

WARRANTY

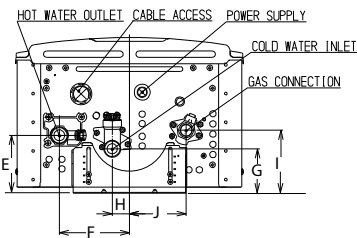
Warranty is reduced if used as a circulating water heater within a hot water circulation loop, where the water heater is in series with a circulation system and all circulating water flows through the water heater, and where an on-demand recirculation system is not incorporated. Refer to the Operation / Installation manual for complete details.

Lime buildup is not covered by the warranty. Treat or condition water if necessary. Refer to the Operation / Installation manual for water quality target levels.

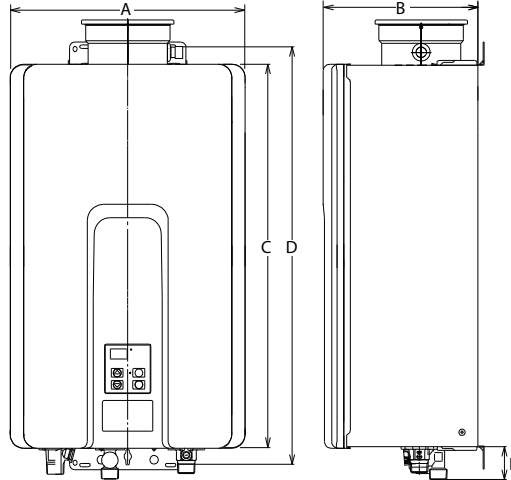
Damage due to freezing is not covered by the warranty. Rinnai highly recommends auto drain down solenoid valves to protect the unit from freeze damage if there is a power outage.

DIMENSIONS

WEIGHT: 53 LBS (24 KG)

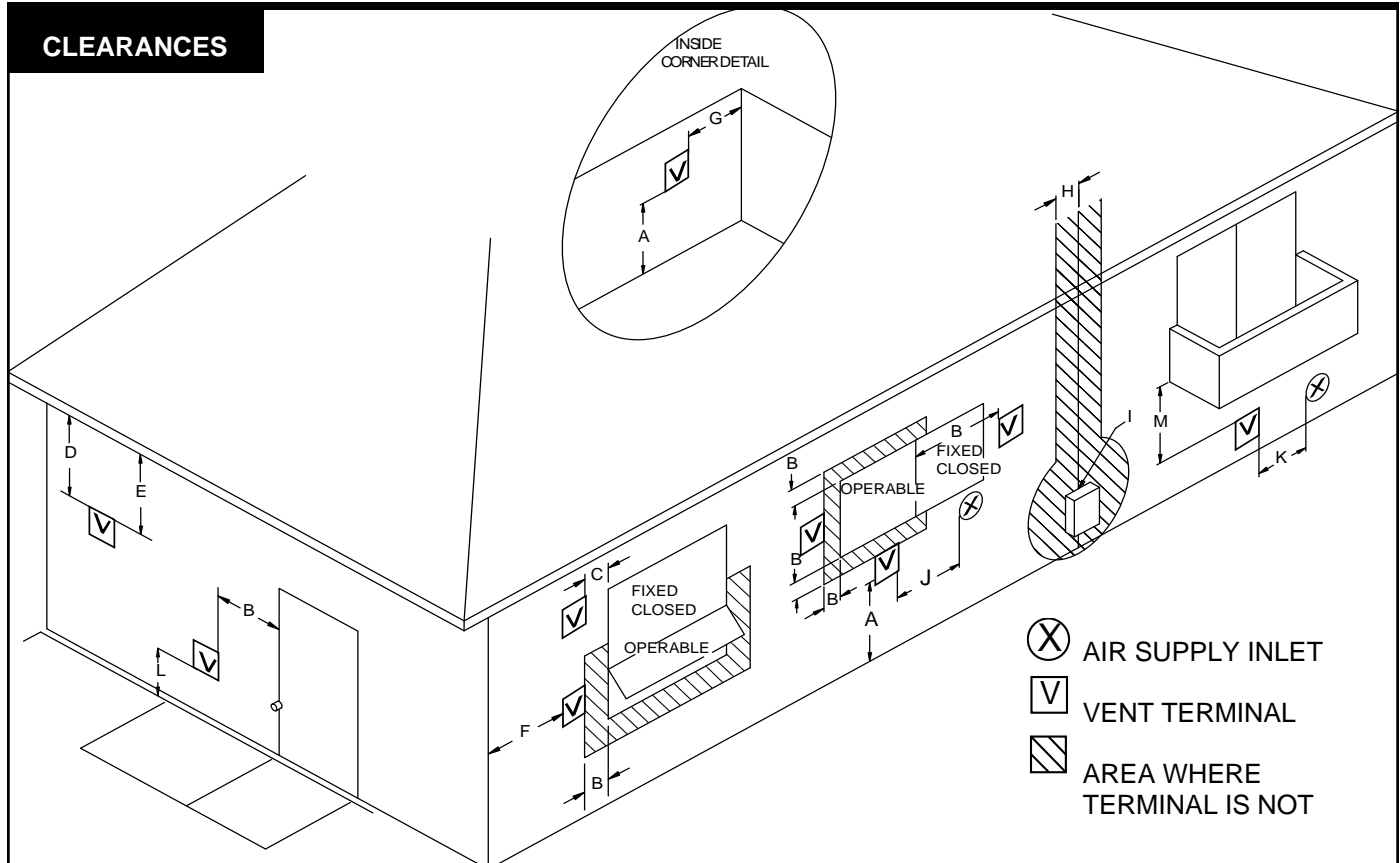


The adjustable mounting bracket offsets the unit from the wall 0.4-2.0 inches (10-51 mm).



DIM	DESCRIPTION	in (mm)
A	Width	14 (355.6)
B	Depth *	9.6 (244.5)
C	Height - Unit	22.9 (582)
D	Distance between mounting holes	25.5 (648.2)
E	Hot Water Outlet - from wall *	3.6 (91)
F	Hot Water Outlet - from center	4.3 (110)
G	Cold Water Inlet - from wall *	2.8 (70)
H	Cold Water Inlet - from center	1.1 (27)
I	Gas Connection - from wall *	3.9 (99)
J	Gas Connection - from center	3.5 (89)
K	From base to gas connection	1.6 (40)
	From base to cold connection	2.0 (50)
	From base to hot connection	1.6 (41)

CLEARANCES



Follow the clearances below required by ANSI Z223.1 and the recommended clearances on the next page.

Maintain 12 inch clearance above the highest anticipated snow level or grade, or whichever is greater. Please refer to your local codes for the snow level in your area.

Ref	Description	Canadian Installations	US Installations
A	Clearance above grade, veranda, porch, deck, or balcony	12 inches (30 cm)	12 inches (30 cm)
B	Clearance to window or door that may be opened	36 inches (91 cm)	12 inches (30 cm)
C	Clearance to permanently closed window	*	*
D	Vertical clearance to ventilated soffit, located above the terminal within a horizontal distance of 2 feet (61 cm) from the center line of the terminal	*	*
E	Clearance to unventilated soffit	*	*
F	Clearance to outside corner	*	*
G	Clearance to inside corner	*	*
H	Clearance to each side of center line extended above meter/regulator assembly	3 feet (91 cm) within a height 15 feet (4.5 m) above the meter/regulator assembly	*
I	Clearance to service regulator vent outlet	36 inches (91 cm)	*
J	Clearance to nonmechanical air supply inlet to building or the combustion air inlet to any other appliance	36 inches (91 cm)	12 inches (30 cm)
K	Clearance to a mechanical air supply inlet	6 feet (1.83 m)	3 feet (91 cm) above if within 10 feet (3 m) horizontally
L	Clearance above paved sidewalk or paved driveway located on public property	7 feet (2.13 m) ①	*
M	Clearance under veranda, porch, deck, or balcony	12 inches (30 cm) ②	*

① A vent shall not terminate directly above a sidewalk or paved driveway that is located between two single family dwellings and serves both dwellings.

② Permitted only if veranda, porch, deck, or balcony is fully open on a minimum of two sides beneath the floor.

* For clearances not specified in *ANSI Z223.1/NFPA 54* or *CSA B149.1*, clearances are in accordance with local installation codes and the requirements of the gas supplier.

These clearances are to supplement the clearances specified in ANSI Z223.1. Local codes supersede these recommendations.

Terminals should be positioned to avoid products of combustion entering openings into buildings or other flues or vents.

- Avoid termination locations near a dryer vent.
- Avoid termination locations near commercial cooking exhaust.

