

Non-Condensing Leak Detection Kit

INSTALLATION INSTRUCTIONS



WARNING

Failure to correctly assemble the components according to these instructions may result in electric shock, injury, or death.

Kit Part Number	RELeakKit
Kit Name	Non-Condensing Leak Detection Kit
Compatible Rinnai Tankless Water Heaters	For use with the following indoor tankless water heater models only: RE199i, RE180i, RE160i, RE140i, REP199i, REP160i

Overview

The leak detection kit is an optional accessory for Rinnai tankless water heaters that identifies potential water leaks caused by failures within the water heater assembly. This accessory includes a drain pan and float switch. When installed with the pipe cover (Rinnai Part Number: PCD09-SHS), the float switch is activated due to accumulation of water in the drain pan. Activation of the switch triggers the closing of a water valve (internal to the water heater), preventing further water leakage.



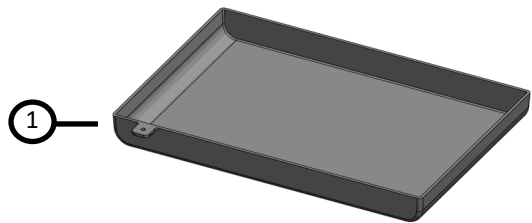
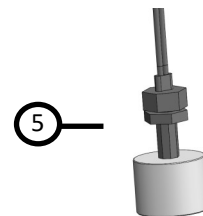
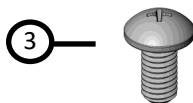
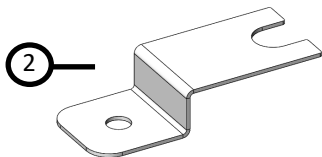
IMPORTANT

The Non-Condensing Leak Detection Kit will only recognize water leaks directly above the drain pan.

Items Inside Product Box

Before installation, please make sure all parts are located inside the product box.

Item #	Item	Qty
①	Drain Pan	1
②	Bracket	1
③	Screw	1
④	Nut	1
⑤	Float Switch	1



Rinnai®

You Will Need

- **Items Supplied with Purchase:**
 - Drain Pan
 - Bracket
 - Screw
 - Nut
 - Float Switch
- **REQUIRED Item Purchased Separately (Not Included with Purchase):**

Item:	Pipe Cover Kit (Figure 1)
Part #:	PCD09-SHS
Applicable Models:	RE and REP Indoor Tankless Water Heater Models

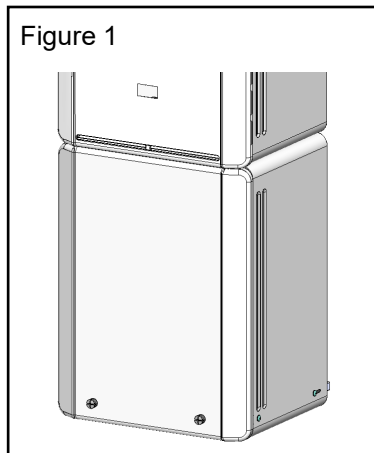


Figure 1
Pipe cover image is for illustrative purposes only. Actual pipe cover may appear differently than image.

- **Tools/Materials Required (Field-Supplied):**
 - Wire nuts (Qty 2) for connecting the float switch to the contacts inside the water heater
 - Phillips head screwdriver

Instructions

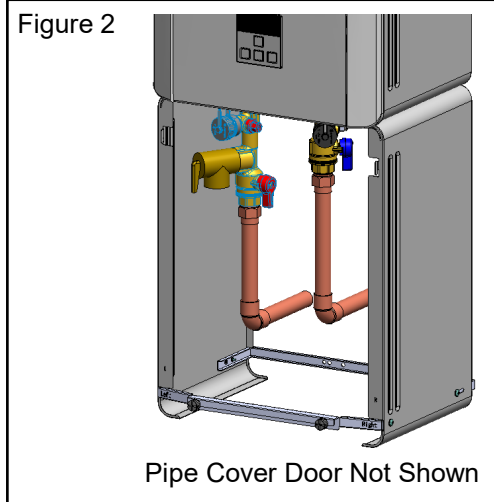
Install Pipe Cover :

1. Install the plumbing and pipe cover (Part #: PCD09-SHS) per the instructions provided with the pipe cover.

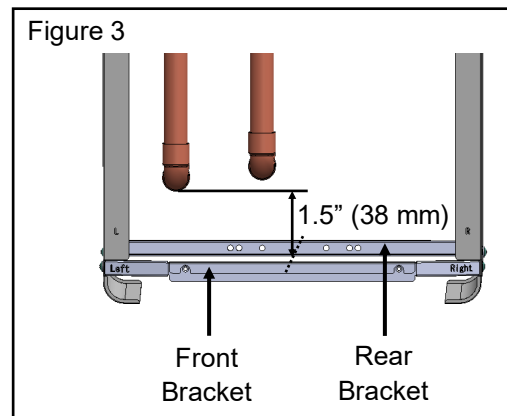
➔ IMPORTANT

The Non-Condensing Leak Detection Kit will only recognize water leaks directly above the drain pan; therefore, do not install any plumbing or wiring through the bottom of the cabinet. Plumbing or wiring should be installed through the wall behind the pipe cover.

- Leave the front door of the pipe cover off for access to install the drain pan (Figure 2).

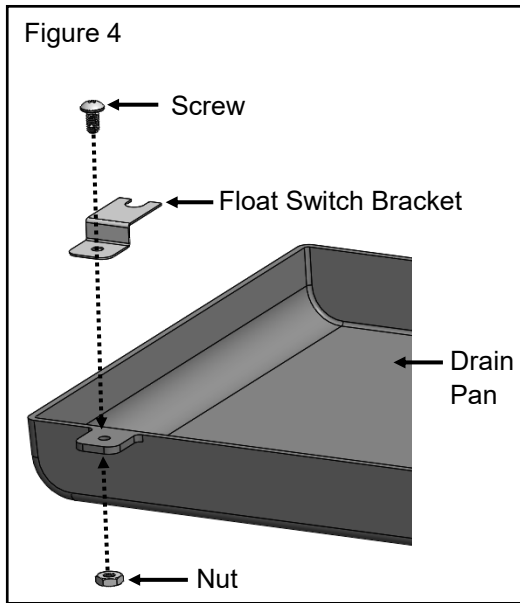


- Maintain at least 1.5" (38 mm) between the plumbing and the front and rear brackets of the pipe cover (Figure 3).

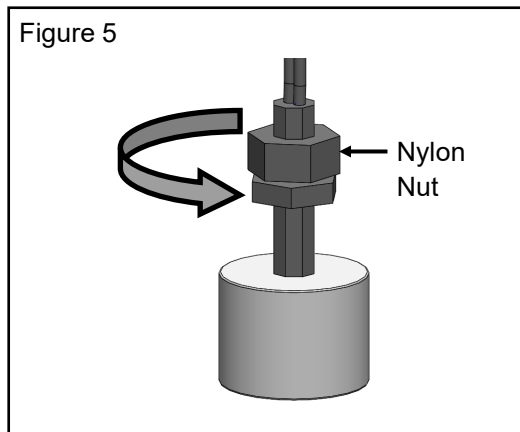


Assemble Drain Pan:

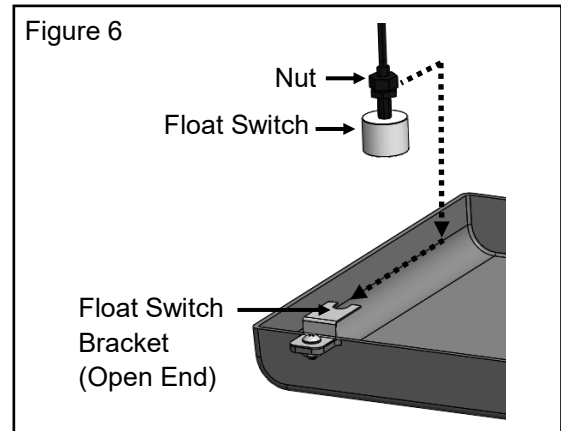
2. Assemble the float switch bracket to the drain pan with the provided 10-32 screw and nut (Figure 4).



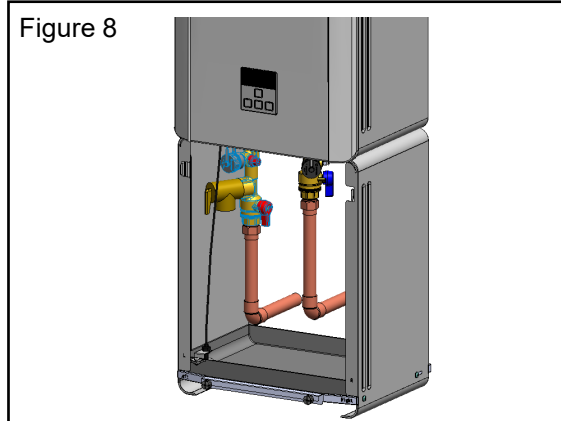
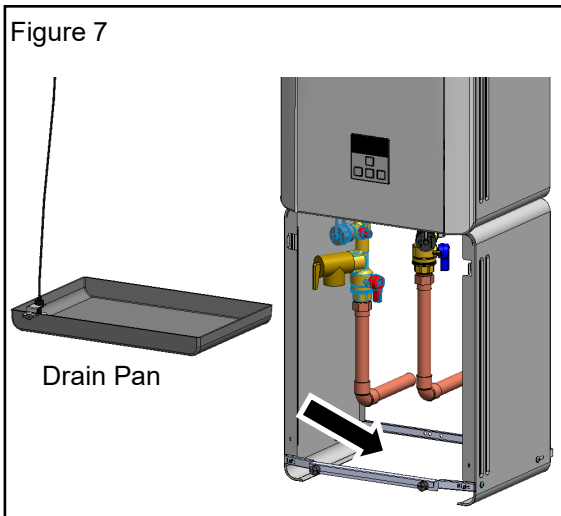
3. Loosen the nylon nut on the top side of the float switch (Figure 5).



4. Assemble the float switch to the open end of the float switch bracket and tighten the nut on the top side of the float switch (Figure 6).



5. Position the drain pan assembly inside the pipe cover (Figure 7) so the drain pan is resting on the front and rear support brackets of the pipe cover (Figure 8).

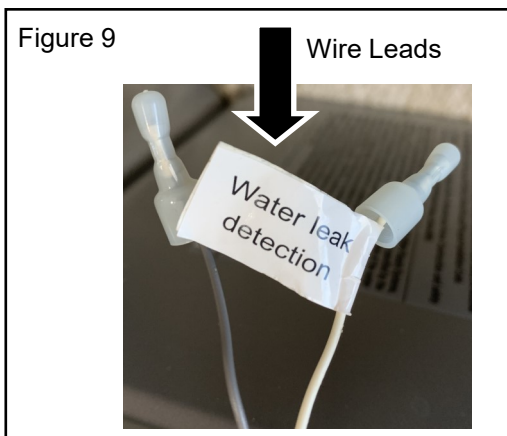


Wire Float Switch to Water Heater:

WARNING

The float switch is wired to leads within the tankless water heater. **Electricity must be disconnected from the tankless water heater before starting the next step.**

6. Turn off the tankless water heater and disconnect from the power supply as indicated in the above warning.
7. Remove the tankless water heater front cover. (For detailed instructions, refer to the Installation and Operation Manual supplied with the tankless water heater).
8. Inside the tankless water heater, locate the grey and white wire leads labeled "Water leak detection" (Figure 9).



9. Cut off the crimp connectors and strip the "Water leak detection" wires.
10. Run the float switch wires through the rubber grommet on the bottom side of the water heater.
11. With field-supplied wire nuts, connect the float switch wires to the "Water leak detection" wires.
12. Reconnect power and turn on the tankless water heater.

Test Operation:

13. With hot water running, lift the float on the float switch for 5 seconds (Figure 10).

Code "79" should appear on the water heater controller (Figure 11).

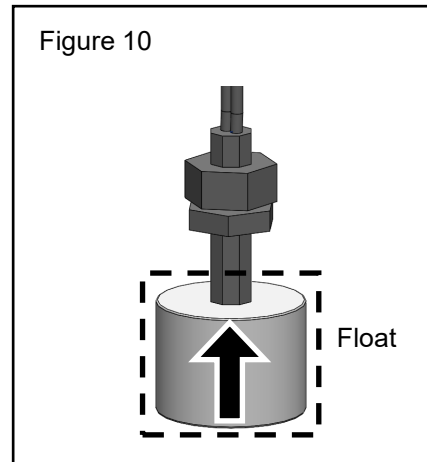


Figure 11

79	Water Leak Detected
	<ul style="list-style-type: none">• Turn off water supply and

Description of code "79" as shown in the Tankless Water Heater Installation and Operation Manual.

14. Clear code "79" by resetting power to the tankless water heater.
15. Install the tankless water heater front cover.

100000789
2/2022