

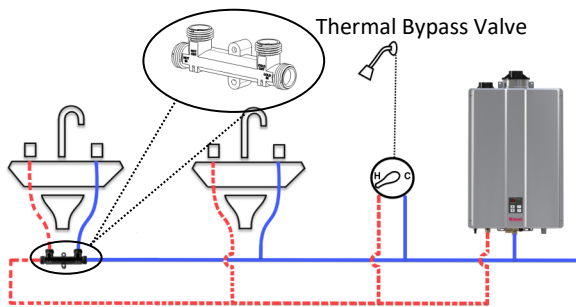
(WITH INTEGRATED RECIRCULATION PUMP)



## ■ CIRC-LOGIC RECIRCULATION TECHNOLOGY

Rinnai Circ-Logic recirculation technology allows users to set recirculation patterns that coincide with their hot water usage patterns. Hot water is available when needed, without the expense of circulating it during times of inactivity. Two recirculation modes are available:

- **Dedicated Mode** - With a dedicated return line, the integrated pump recirculates water from the tankless water heater through the return line and back to the heater.
- **Crossover Mode** - In applications where a dedicated return line is not available or is difficult to install, Circ-Logic technology allows for the simple installation of a **Thermal Bypass Valve** (included with purchase) at the fixture farthest away from the water heater.



## Smart-Circ™

Intelligent Recirculation™

- Intelligent Recirculation “learns” users’ hot water patterns to schedule recirculation.

## ■ EASE OF INSTALLATION AND SERVICEABILITY

- Compact Design to Save Space
- Wi-Fi Technology for Remote Monitoring and Management
- Simple Gas Conversion

### SUPER-HIGH-EFFICIENCY (CONDENSING) TANKLESS WATER HEATER

<b>Installation Type</b>	Internal (Indoor) Applications
<b>Model Numbers</b>	RSC199i (REU-NP3237FF-US(A)) RSC160i (REU-NP2530FF-US(A))
<b>Approved Gas Types</b>	Natural and Propane
<b>Efficiency</b>	UEF: 0.93
	Ratings not certified by AHRI EF: 0.96
<b>High Altitude Approved</b>	Up to 10,200 ft (3,109 m)
<b>Water Flow Control</b>	Water Flow Sensor, Electronic Water Control and Bypass Control
<b>Controller</b>	Standard: MC-91-2US
	Required for scheduled Recirculation: MC-195T-US or control-r™ Wi-Fi Module
<b>Certifications</b>	AHRI, ANSI Z21.10.3, CSA 4.3, and ENERGY STAR®

### Warranty

- Heat Exchanger: 15 years or 12,000 operation hours, whichever occurs first
- All Other Parts and Components: 5 Years
- Reasonable Labor: 1 Year

### Safety Devices

Flame Failure - Flame Rod, Boiling Protection, Combustion Fan RPM Check, Over Current - Glass Fuse, Remaining Flame (OHS) and Automatic Frost Protection

### Included with Purchase

Tankless Water Heater, Thermal Bypass Valve, Pressure Relief Valve and Adapter, Isolation Valve Kit, Integrated Controller

### Additional Features

- Complies with South Coast Air Quality Management District 14 ng/J or 20 ppm NOx Emission Levels
- Ultra Low NOx
- Tankless Rack System™ Compatible
- 1/2 in. (13 mm) Gas Line Compatible

## OPTIONAL ACCESSORIES

Room Air Screen, Condensate Neutralizer, ScaleCutter, Drain Down Kit, Additional Controllers, Pipe Cover, Recirculation Pump, DPS/MIS Switch, EZConnect™ Cables, Wireless Accessories, and many more. Visit [rinnai.us](http://rinnai.us) for a complete list of accessories.



CERTIFIED TO ANSI Z21.10.3 — CSA 4.3

# SENSE™ TECHNICAL SPECIFICATIONS

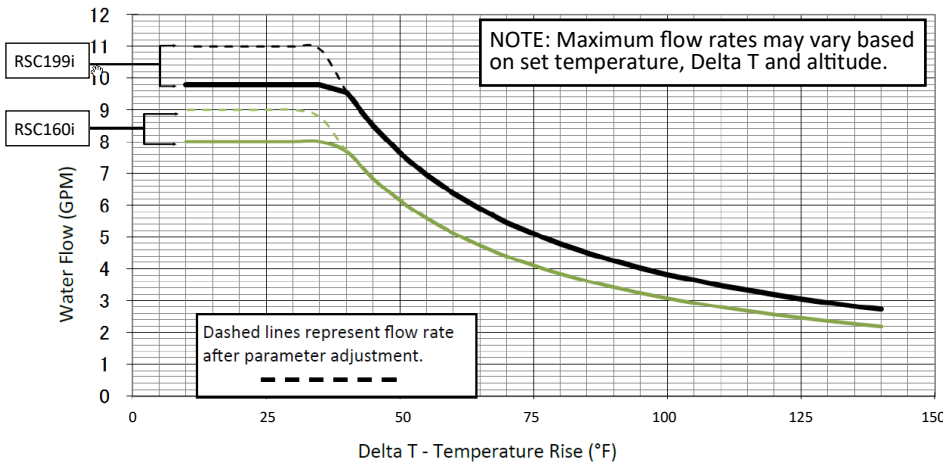
SPECIFICATION		RSC199i	RSC160i
Dimensions - w, h, d		18.5 in. x 26.4 in. x 11.4 in. (470 mm x 670 mm x 290 mm)	
Minimum Gas Consumption Btu/h		15,000	
Maximum Gas Consumption Btu/h		199,000	160,000
Flow Rate <sup>1</sup> (Min - Max)		0.26 - 9.8 GPM (1.0 - 37 L/min)	0.26 - 8.0 GPM (1.0 - 30 L/min)
Max Flow Rate with Parameter Adjustment		11 GPM (42 L/min)	9 GPM (34 L/min)
Weight		68 lb (31 kg)	66 lb (30 kg)
Sound Level		53 dB	52 dB
Electrical	Normal	78 W	57 W
	Standby	2.3 W	
	Freeze Protection	150 W	
	Max Current	4 Amps	
	Fuse	10 Amps	
Temperature		<ul style="list-style-type: none"> <li>Minimum: 98° F (37° C) Default</li> <li>120° F (49° C) Crossover Mode</li> <li>Maximum: 120° F (49° C) Default</li> <li>140° F (60° C) With Parameter Adjustment</li> </ul>	
By-Pass Flow Control		Electronic	
Gas Supply Pressure <sup>2</sup>		<ul style="list-style-type: none"> <li>Natural: 3.5 in. w.c. - 10.5 in. w.c.</li> <li>Propane: 8.0 in. w.c. - 13.5 in. w.c.</li> </ul>	
Ignition System		Direct Electronic Ignition	
Electronic Connections		<ul style="list-style-type: none"> <li>Appliance: AC 120 Volts, 60Hz.</li> <li>Temperature Controller: DC 12 Volts (Digital)</li> </ul>	
Water Supply Pressure		<ul style="list-style-type: none"> <li>Minimum: 50 PSI (Recommended 60-80 PSI for max performance)</li> <li>Maximum: 150 PSI</li> </ul>	
Controller Cable		Non-Polarized Two Core Cable (Minimum 22 AWG)	
Service Connections		<ul style="list-style-type: none"> <li>Gas Supply: 3/4 in. (19 mm) NPT</li> <li>Cold Water Inlet: 3/4 in. (19 mm) NPT</li> <li>Hot Water Outlet: 3/4 in. (19 mm) NPT</li> <li>Condensate Drain: 1/2 in. (13 mm) NPT</li> </ul>	
Clearances		<ul style="list-style-type: none"> <li>Top: 2 in. (51 mm)*</li> <li>Bottom/Ground: 12 in. (305 mm)</li> <li>Front: 0 in.**</li> <li>Back: 0 in.</li> <li>Sides: 2 in. (51 mm)***</li> <li>Front Exhaust: 24 in. (610 mm)</li> </ul>	

\* 0 in. from vent components  
 \*\* Clearance for servicing is 24 in. (610 mm) in front of water heater  
 \*\*\* Add 0.25 in. (6.35 mm) for recess box

<sup>1</sup> Minimum flow may vary slightly depending on the temperature setting and the inlet water temperature. Minimum activation flow is 0.4 GPM (1.5 L/min).  
<sup>2</sup> The maximum gas supply pressure must not exceed the value specified by the manufacturer.

# SENSE™ WATER FLOW CURVE

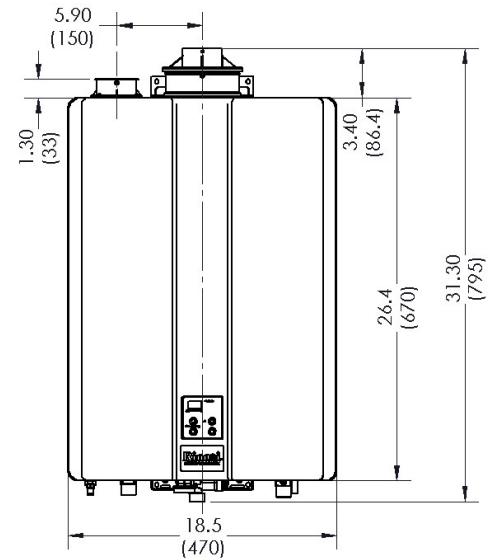
Flow curves apply only to incoming water temperatures of 70° F (21° C) or less. For incoming water temperatures greater than 70° F (21° C), please contact Rinnai.



# SENSE™ DIMENSIONS

in. (mm)

## FRONT



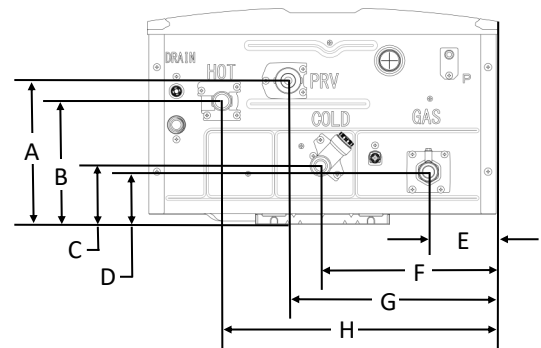
## SIDE



### Vent Connection:

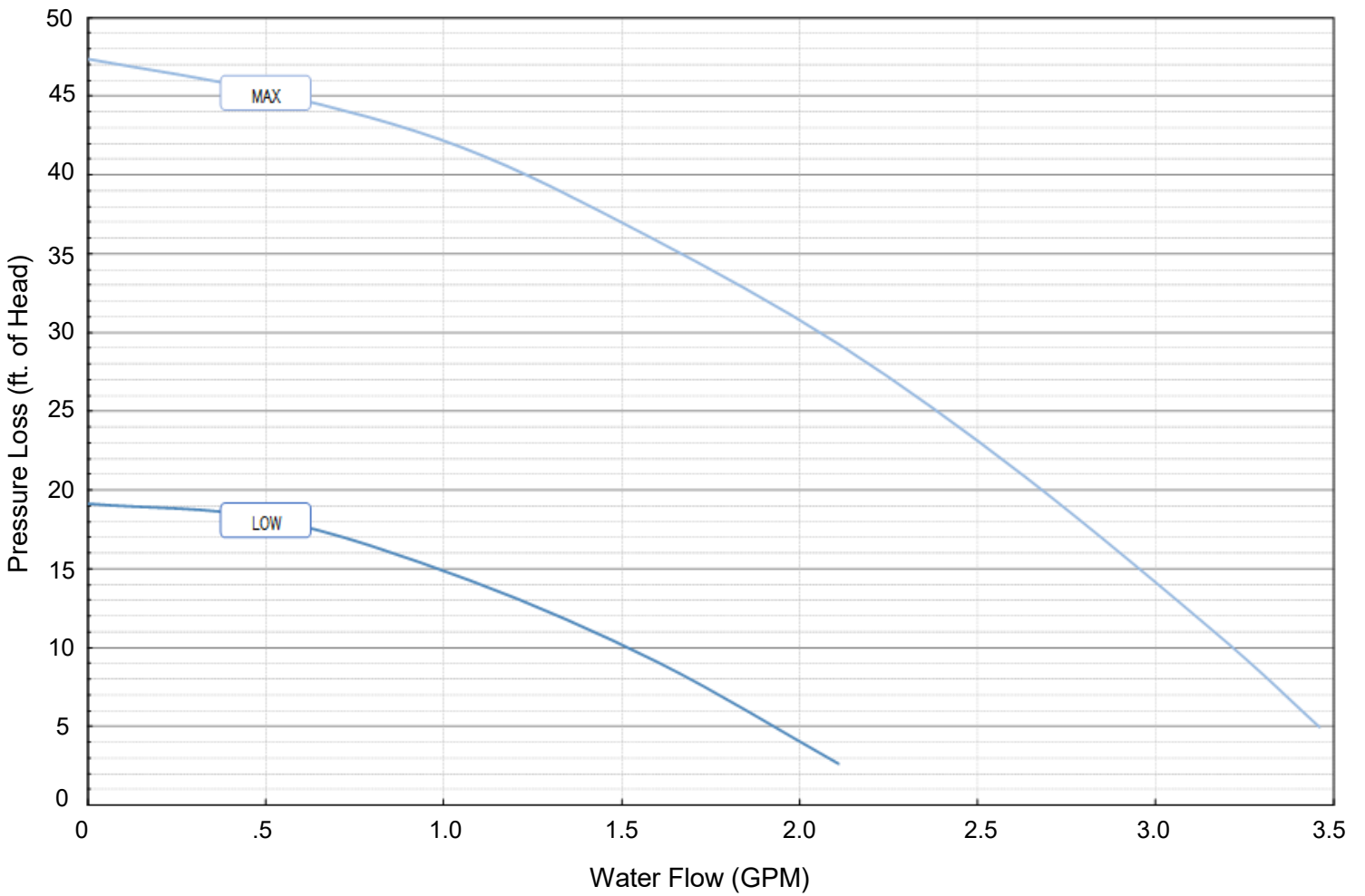
2 in. (51 mm) nominal PVC/ Polypropylene or 3 in./5 in. Concentric.

## BOTTOM



Connection	in.	mm
COLD	F	9.27 235
	C	3.15 79
HOT	H	14.49 368
	B	6.56 166
GAS	E	3.57 91
	D	2.79 71
PRV	G	10.40 264
	A	7.60 193

# SENSEI™ PUMP PERFORMANCE AND PUMP + TANKLESS PERFORMANCE CURVE



## Recirculation Pump Control

- Smart-Circ™ “learns” users’ hot water patterns to activate recirculation.
- Manual schedule selection is available with Accessory controllers (MC-195T or control•r™ Wi-Fi module)

## Internal Multi-Speed DC Pump

Integrated pump allows for recirculation through a dedicated return line or crossover with thermal bypass valve.

## Maximum Recirculation Pipe Lengths

- 400 equivalent feet for 3/4 in. pipe diameter
- 100 equivalent feet for 1/2 in. pipe diameter

*Take equivalent elbow lengths into consideration when calculating pipe length.*

**For dedicated return lines:** Total length includes both hot water supply and dedicated return lines.

**Cross-over mode:** Total length includes both hot water supply and cold water piping length from the tankless water heater to the thermal bypass valve. Cross-over mode requires the use of a thermal bypass valve (included).