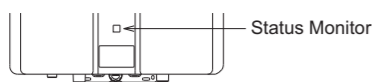


# Status Monitor

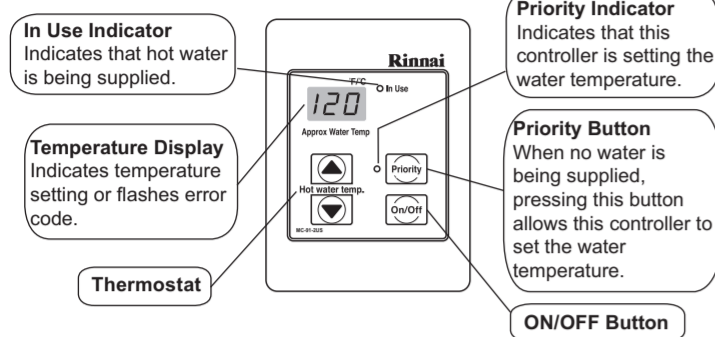


(This illustration represents indoor model.)

## Diagnostic Information (on status monitor)

- - Initial (When unit is connected to power).
  - (non-displayed) Standby (power is supplied but there is no demand for hot water).
  - 1,2,3 or 4 Hot water is being supplied without controller.
  - ON Hot water is being supplied with controller.
  - FL or FH Stands for Forced Low and Forced High combustion. Only seen during the gas pressure setting procedure which is done when certain components are replaced.
- Error code flashing The error code will stop flashing after the problem is corrected and the water heater supplies hot water.

# Controller (Optional)



## Diagnostic Use of the Controller

- To display the most recent diagnostic codes press and hold the "On/Off" button for 2 seconds on the MC-91 controller.
- To enter or exit the maintenance monitor information mode press and hold the down button for 2 seconds and without releasing it press the ON/OFF button.

No.	Data	Unit
01	Water flow rate	0.1 gal/min
02	Outgoing water temperature	Degrees Fahrenheit

## To Change the Temperature Scale (°F / °C)

With the water heater turned off, press and hold the ON/OFF button until the display changes to the other temperature scale (about 5 seconds).

# Gas Pressure Setting

NOTE: For additional installation and commissioning information refer to the Operation and Installation Manual.

## WARNING

This appliance must be installed, serviced and removed by a trained and qualified person. During pressure testing of the consumer piping, ensure gas valve is turned off before unit is shut off. Failure to do so may result in serious injury to yourself or damage to the unit.

## APPLIANCE OPERATING PRESSURES

Table 1

	Water Inlet Max.	Gas Inlet Min./Max.		Forced Low		Forced High		
		NAT.G	LPG	NAT.G	LPG	NAT.G	LPG	
RUCS75i	Concentric	Short flue length	4" W.C./10.5" W.C.	8" W.C./13.5" W.C.	1.18	1.20	3.46	4.08
	Twin Pipe	Short flue length	1.12	1.17	3.44	3.91		
RUCS65i	Concentric	Short flue length	1.06	1.19	3.04	3.42		
	Twin Pipe	Short flue length	1.18	1.20	2.37	2.83		
RUS75e	Concentric	Short flue length	1.14	1.24	2.61	2.92		
	Twin Pipe	Short flue length	1.06	1.19	2.47	2.71		
RUS65e	Concentric	Short flue length	1.18	1.20	2.37	2.83		
	Twin Pipe	Short flue length	1.14	1.24	2.61	2.92		
RUS75e	Concentric	Short flue length	1.06	1.19	2.47	2.71		
	Twin Pipe	Short flue length	1.18	1.20	2.37	2.83		
RUS65e	Concentric	Short flue length	1.14	1.24	2.61	2.92		
	Twin Pipe	Short flue length	1.06	1.19	2.47	2.71		

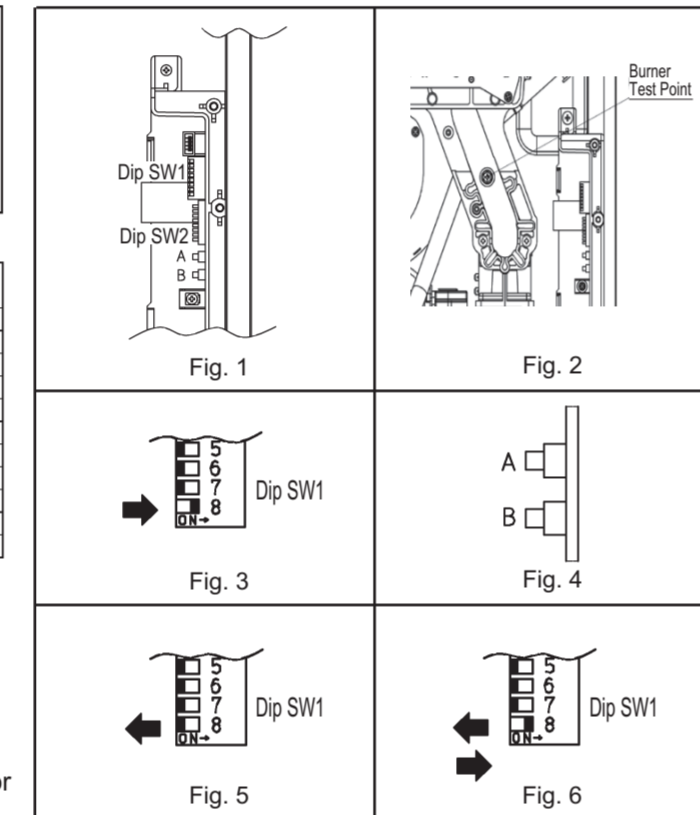
## Commissioning

With all gas appliances in operation at maximum gas rate, the flowing inlet pressure at the incoming test point on the Rinnai water heater should read 4" W.C. - 10.5" W.C. on natural gas and 8" W.C. - 13.5 W.C. on propane gas. If the pressure is lower, the gas supply is inadequate and the unit will not operate to specification. Check the gas meter regulator and pipework for correct operation/sizing and correct as required.

## Gas Pressure Setting

Ensure gas pressure check under Commissioning has been completed first! The regulator is electronically controlled and factory pre-set. Under normal circumstances it does not require adjustment during installation. Make adjustments only if the unit is not operating correctly and all other possible causes for incorrect operation have been eliminated.

- Turn OFF the gas supply.
- Turn OFF the water supply.
- Remove the front panel (four screws).
- Check the gas type using the data plate on the side of the unit. Confirm that the gas type switch is in the correct position (SW1 in DIPSW2 is ON for natural gas, NG, and OFF for propane gas, LPG.) Figure 1.
- Remove the screw and attach the manometer to the burner test point located on the gas control. Figure 2.
- Turn on the gas supply and the power supply.
- Flow water through the water heater at the maximum flow rate obtainable. (At least 3 gallons per minute is recommended. If there is not enough water flowing, the water heater could shut off or sustain damage due to overheating.)
- Move SW8 in DIPSW1 to ON. Figure 3.
- Push the PC board switch A for one second. Figure 4.
- Calibrate "Forced Low" combustion using switch A (up) and switch B (down).
- Move SW8 in DIPSW1 to OFF and then back to ON. Figure 6.
- Push the PC board switch B for one second. Figure 4.
- Calibrate "Forced High" combustion using switch A (up) and switch B (down).
- Move SW8 in DIPSW1 to OFF. Figure 5.
- Close hot water taps.
- Turn off gas supply and 120 V power supply.
- Remove manometer and re-install screws.
- Turn on the gas supply and 120 V power supply.
- Operate the unit and check for gas leaks.
- Install the front panel using four screws.



# Diagnostic Codes

## 10 Air Supply or Exhaust Blockage

- Ensure approved venting materials are being used.
- Check that nothing is blocking the flue inlet or exhaust.
- Check all vent components for proper connections.
- Ensure vent length is within limits.
- Verify dip switches are set properly.
- Check fan for blockage.

## 11 No Ignition

- Check that the gas is turned on at the water heater, meter, or cylinder.
- If the system is propane, make sure that gas is in the tank.
- Ensure appliance is properly grounded.
- Ensure gas type and pressure is correct.
- Ensure gas line, meter, and/or regulator is sized properly.
- Bleed all air from gas lines.
- Verify dip switches are set properly.
- Ensure igniter is operational.
- Check igniter wiring harness for damage.
- Check gas solenoid valves for open or short circuits.
- Remove burner cover and ensure burners are properly seated.
- Remove burner plate; inspect burner surface for condensation/debris.
- Check the ground wire for the PC board.

## 12 No Flame

- Check that the gas is turned on at the water heater, meter, or cylinder.
- Check for obstructions in the flue outlet.
- If the system is propane, make sure that gas is in the tank.
- Ensure gas line, meter, and/or regulator is sized properly.
- Ensure gas type and pressure is correct.
- Bleed all air from gas lines.
- Ensure proper venting material was installed.
- Ensure condensation collar was installed properly.
- Ensure vent length is within limits.
- Verify dip switches are set properly.
- Check power supply for loose connections.
- Check power supply for proper voltage and voltage drops.
- Ensure flame rod wire is connected.
- Check flame rod for carbon build-up.
- Disconnect and reconnect all wiring harnesses on unit and PC board.
- Check for DC shorts at components.
- Check gas solenoid valves for open or short circuits.
- Remove burner plate; inspect burner surface for condensation/debris.

## 14 Thermal Fuse

- Ensure SW5 in DIPSW2(white) is in the off position.
- Check for restrictions in air flow around unit and vent terminal.
- Check gas type of unit and ensure it matches gas type being used.
- Check for low water flow in a circulating system causing short-cycling.
- Ensure dip switches are set to the proper position.
- Check for foreign materials in combustion chamber and exhaust piping.
- Check heat exchanger for cracks or separations.
- Check heat exchanger surface for hot spots which indicate blockage due to scale build-up. Refer to instructions in manual for flushing heat exchanger. Hard water must be treated to prevent scale build up or damage to the heat exchanger.
- Measure resistance of safety circuit.
- Ensure high fire and low fire manifold pressure is correct.
- Check for improper conversion of product.

## 16 Over Temperature Warning

- Check for restrictions in air flow around unit and vent terminal.
- Check for low water flow in a circulating system causing short-cycling.
- Check for foreign materials in combustion chamber and exhaust piping.
- Check for blockage in the heat exchanger.

## 19 Electrical Grounding

- Check all components for electrical short.

## 25 Condensate Trap

- Condensate trap is full. Check condensate trap and drain pipe for blockage.
- Ensure a condensate drain line is installed according to local codes.
- Ensure that the end of the condensate drain is open to the atmosphere.
- Ensure that the end of the pipe is not submerged under water.
- Replace condensate trap.

## 32 Outgoing Water Temperature Sensor

## 33 Heat Exchanger Outgoing Temperature Sensor

## 38 Exhaust Gas Temperature Sensor

## 41 Outside Temperature Sensor

- Check sensor wiring for damage.
- Measure resistance of sensor.
- Clean sensor of scale build-up.
- Replace sensor.

## 52 Modulating Solenoid Valve Signal

- Check modulating gas solenoid valve wiring harness for loose or damaged terminals.
- Measure resistance of valve coil.

## 54 High Exhaust Gas Temperature

- Check heat exchanger surface for hot spots which indicate blockage due to scale build up. Refer to instructions in manual for flushing heat exchanger. Hard water must be treated to prevent scale build up or damage to the heat exchanger.
- Contact a licensed professional.

## 61 Combustion Fan

- Ensure fan will turn freely.
- Check wiring harness to motor for damaged and/or loose connections.
- Measure resistance of motor winding.

## 65 Water Flow Servo

- The water flow control valve has failed to close during the bath fill function. Immediately turn off the water and discontinue the bath fill function. Contact a licensed professional.

## 70 PC Board

- Check PC board DIP switches for correct positions.
- Check the connection harness at the connection on the PC board.
- Replace PC board.

## 71 Solenoid Valve Circuit

- Replace the PC Board.

## 72 Flame Sensing Device

- Verify flame rod is touching flame when unit fires.
- Check all wiring to flame rod.
- Remove flame rod; check for carbon build-up; clean with sand paper.
- Check inside burner chamber for any foreign material blocking flame at flame rod.
- Measure micro amp output of sensor circuit with flame present.
- Replace the PC Board.

## LC# Scale Build-up in Heat Exchanger

- (when checking maintenance code history "00" is substituted for "LC")
- LC (only when a controller is installed, the monitor shows LC0-LC9) indicates that there is scale build up in the heat exchanger and that the heat exchanger needs to be flushed to prevent damage. Refer to the flushing instructions in the manual. Hard water must be treated to prevent scale build up or damage to the heat exchanger.
- To operate the water heater temporarily until the heat exchanger can be flushed, push the On/Off button (when a controller is installed) on the temperature controller 5 times. Repeated LC codes will eventually lock out the water heater.

## FF Maintenance Performed

- Indicates a service provider performed maintenance or repair. Enter this code by pressing up, down, and ON/OFF simultaneously.

## No Code

- (Nothing happens when water flow is activated.)
- Clean inlet water supply filter.
- On new installations ensure hot and cold water lines are not reversed.
- Verify you have at least the minimum flow rate required to fire unit.
- Check for cold to hot cross over. Isolate circulating system if present.
- Turn off cold water to the unit, open pressure relief valve; if water continues to flow, there is bleed over in your plumbing.
- Verify turbine spins freely.
- Measure the resistance of the water flow control sensor.
- If the display is blank and clicking is coming from the unit, disconnect the water flow servo motor (GY, BR, O, W, P, BL, R). If the display comes on then replace the water flow servo motor.

# Troubleshooting

## Important Safety Notes

There are a number of (live) tests that are required when fault finding this product. Extreme care should be used at all times to avoid contact with energized components inside the water heater. Only trained and qualified service technicians should attempt to repair this product. Before checking for resistance readings, disconnect the power source to the unit and isolate the item from the circuit (unplug it).

## (SV1, SV2, SV3, SV4 and POV) Gas valve and Modulating solenoids: (Set meter above 2K)

Wire color	Voltage	Resistance	Connector #	Pin #'s
(Main) Black - Grey	11 ~ 13 VDC	24 ~ 28 ohms	D1	B3 - B4
(SV1) Black - Blue	11 ~ 13 VDC	36 ~ 42 ohms	B3	4 - 6
(SV2) Black - Yellow	11 ~ 13 VDC	36 ~ 42 ohms	B2	4 - 7
(SV3) Black - Red	11 ~ 13 VDC	36 ~ 42 ohms	B4	4 - 5
(SV4) Black - Orange	11 ~ 13 VDC	35 ~ 41 ohms	B1	4 - 8
(POV) Pink - Pink	2 ~ 15 VDC	67 ~ 81 ohms	D1	1 - 2

## (M) Water Flow Control Device Servo or Gated Motor:

Wire color	N/A	Resistance	Connector #	Pin #'s
Red - Pink	N/A	44 ~ 52 ohms	G1	3 - 4
White - Blue	N/A	44 ~ 52 ohms	G1	1 - 2

NOTE: The grey wire listed above turns to black at G connector on the PCB.

## (QS) Water Flow Sensor:

Wire color	Voltage	N/A	Pin #'s
Black - Red	11 ~ 13 VDC	N/A	L3
Yellow - Black	4 ~ 7 VDC	N/A	L3

## (IG) Ignition System:

Wire color	Voltage	N/A	Pin #'s
Grey - Grey	110 ~ 130 VAC	N/A	C1

## (FM) Combustion Fan Motor:

Wire color	Voltage	N/A	Pin #'s
Red - Black	6 ~ 45 VDC	N/A	L2
White - Black	5 ~ 10 VDC	N/A	L2
Yellow - Black	11 ~ 13 VDC	N/A	L2

Set your meter to the hertz scale. Reading across the white and black wires at terminals 3 and 5 you should read between 60 and 420 hertz.

## Thermal Fuse / Overheat Switch:

Wire color	Voltage	N/A	Pin #'s
White - White	11 ~ 13 VDC	N/A	B5
			B6

## Flame Rod:

Place one lead of your meter to the flame rod and the other to ground. With the unit running you should read between 5-150 VAC. Set your meter to the  $\mu$  amp scale and series your meter in line with the flame rod. You should read 1  $\mu$  amp or greater for proper flame circuit. In the event of low flame circuit remove the flame rod and check for carbon or damage.

## Heat Exchanger, Outgoing Water Temperature and Exhaust Gas Thermistors:

Check all thermistors by inserting meter leads into each end of the thermistor plug. Set your meter to the 20 K scale and read resistance. Applying heat to the thermistor bulb should decrease the resistance. Applying ice to the thermistor bulb should increase the resistance. See below for examples of typical temperatures and resistance readings.

Example:	59°F = 11.8 ~ 13.3k $\Omega$	140°F = 2.4 ~ 2.7k $\Omega$
	86°F = 6.7 ~ 7.4k $\Omega$	221°F = 0.66 ~ 0.76k $\Omega$
	113°F = 3.9 ~ 4.3k $\Omega$	

## Outgoing Water Thermistor:

Wire color	N/A	See example above	Pin #'s
White - White	N/A	See example above	E6
Blue - Blue	N/A	See example above	E6

## Heat Exchanger Temperature Thermistor:

Wire color	N/A	See example above	Pin #'s
Pink - Pink	N/A	See example above	E5

## Exhaust Gas Thermistor:

Wire color	N/A	See example above	Pin #'s
White - White	N/A	See example above	E8

## Remote Controls:

Terminals	Voltage	N/A	Pin #'s
J	10 ~ 13 VDC	N/A	J

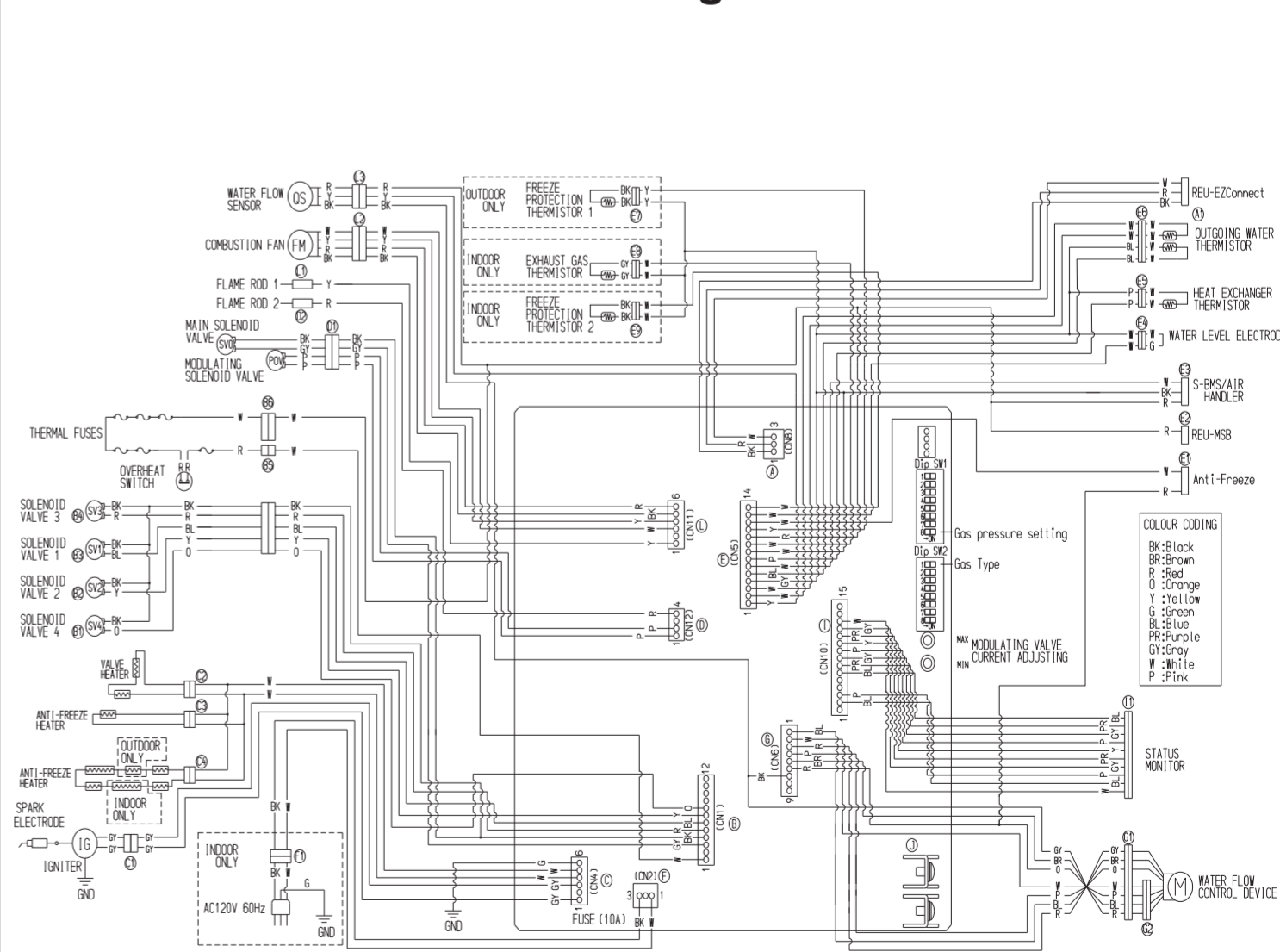
## Frost Protection:

This unit has frost protection heaters mounted at different points to protect the water heater from freezing. All of them should show a positive resistance reading.

## Amp Fuses:

This unit has one inline (10) amp glass fuse. Remove the fuse and check continuity through it. If you have continuity through the fuse then it is good. Otherwise the fuse is blown and must be replaced.

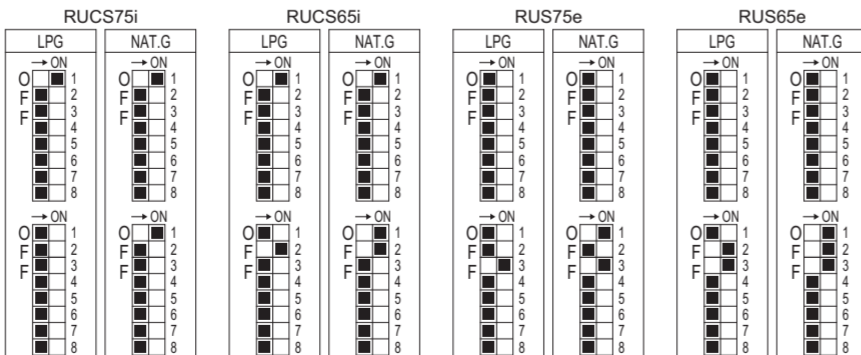
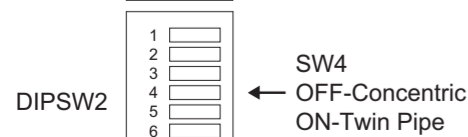
# Wire Diagram



# Dip Switches Settings

Adjust SW3 in DIPSW1 (upper side) depending on your altitude according to the table below.

For indoor models, adjust SW4 in DIPSW2 to the appropriate venting style.



## WARNING

DO NOT adjust the other dip switches unless specifically instructed to do so. Incorrect Dip Switch Settings can cause the Rinnai water heater to operate in an unsafe condition and may damage the water heater and void the warranty.

SW No.	ALTITUDE LEVELS		
3	High Altitude	Off	Level 0 0-2000 ft (0-610 m)
		On	Level 1 2001-5400 ft (610-1646 m)

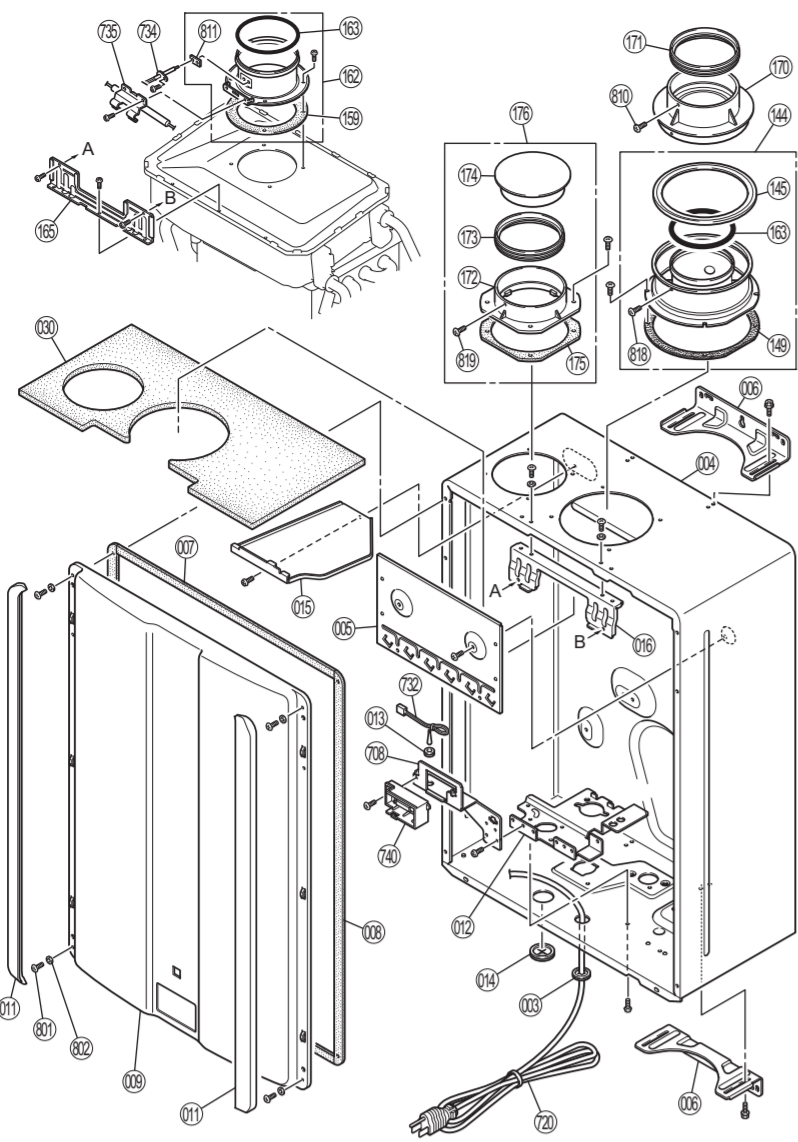
RUCS75i (KCM2528FFU-US)  
RUCS65i (KCM2025FFU-US)  
RUS75e (KCM2528W-US)  
RUS65e (KCM2025W-US)

**U328-0710(00)**

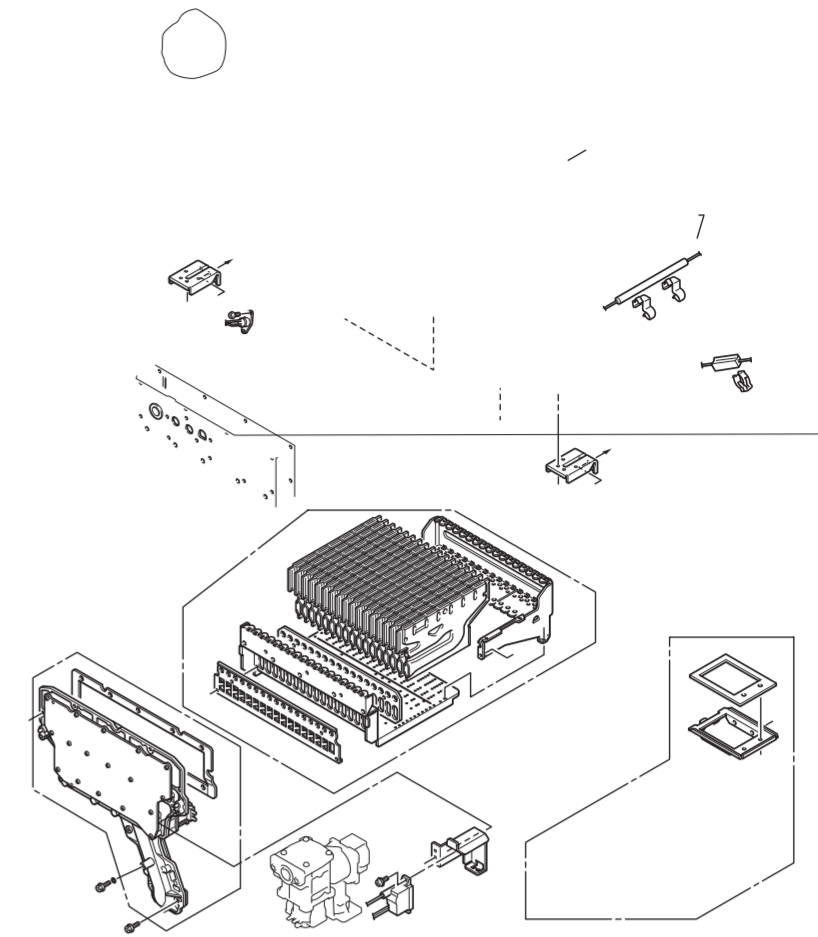
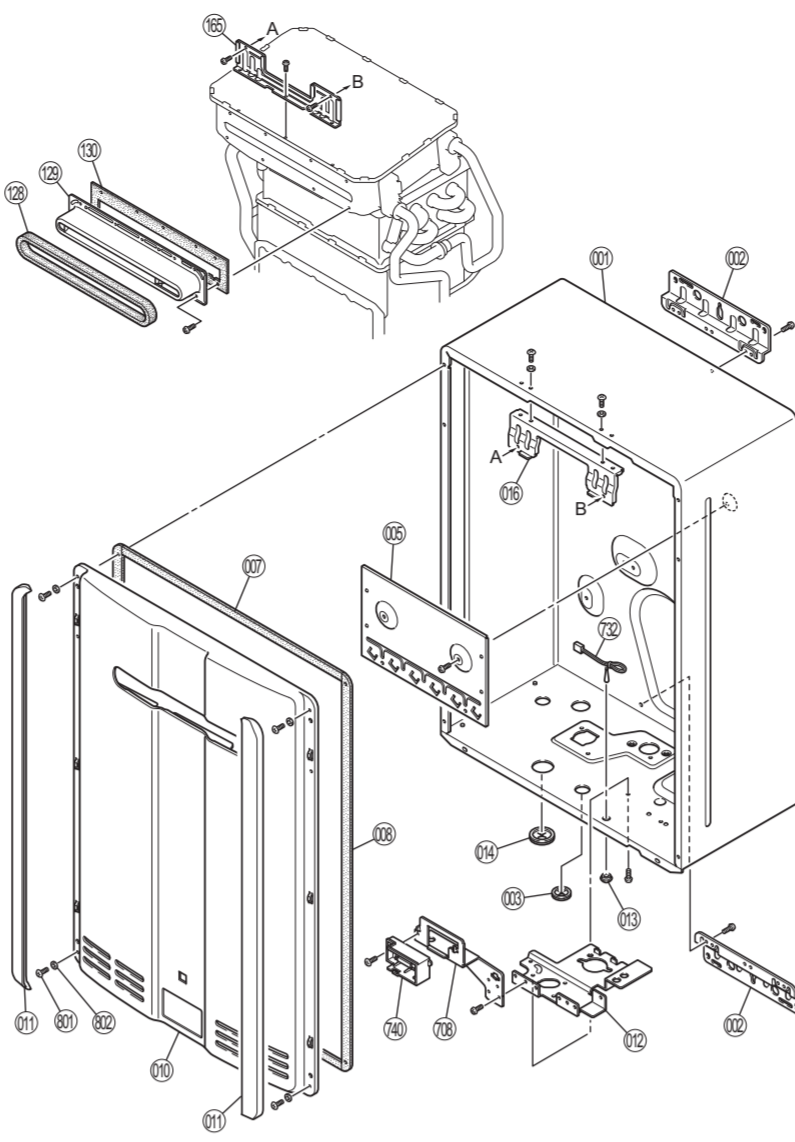


070 0012 32698 6

**EXPLODED VIEW-CABINET(INDOOR)**



**EXPLODED VIEW-CABINET(OUTDOOR)**



Item Description	RUCS75i	RUCS65i	Item Description	RUCS75i	RUCS65i	Item Description	RUCS75i	RUCS65i	Item Description	RUCS75i	RUCS65i
	Qty	Qty		Qty	Qty		Qty	Qty		Qty	Qty
001 Main Body-Outdoor	-	1	119 Electrode Packing	1	1	405 Drain Valve Band A	1	1	724 Power Supply Harness-Indoor	1	-
002 Wall Bracket	-	2	128 Seal Packing	-	1	406 Plug Band	1	1	725 Power Supply Harness-Outdoor	-	1
003 Rubber Bushing-A	1	1	129 Flue Outlet	-	1	407 Clip	1	1	727 Water Flow Sensor	1	1
004 Main Body-Indoor	1	-	130 Flue Outlet Packing	-	1	408 Hot Water Outlet	1	1	728 Ignitor Bracket	1	1
005 Heat Protection Plate	1	1	131 Fan Motor-Indoor	1	-	409 Stop Bracket	1	1	730 Twin Thermistor	1	1
006 Wall Bracket	2	-	132 Fan Motor-Outdoor	-	1	410 Clip	3	3	731 Solenoid Harness	1	1
007 Gasket-Top and Bottom	2	2	133 Fan Casing-Indoor	1	-	412 Water Filter Assembly	1	1	732 Frost Sensing Thermistor Assembly	1	1
008 Gasket-Side	2	2	134 Fan Casing-Outdoor	-	1	413 Fixed Bypass	1	1	733 Status Monitor Harness	1	1
009 Front Panel-Indoor	1	-	135 Fan Connecting Bracket	1	1	414 Cover	1	1	734 Exhaust Gas Thermistor	1	-
010 Front Panel-Outdoor	-	1	136 Fan Connecting Bracket Packing	1	-	422 Drain Plug	1	1	735 Latent Heater Bracket	1	-
011 Screw Cover	2	2	137 Fan Assembly/Motor-Indoor	1	1	423 Clip	1	1	740 Status Monitor Assembly	1	1
012 Connexion Reinforcement Panel	1	1	138 Fan Assembly/Motor-Outdoor	-	1	440 Condensate Trap	1	1	741 Valve Heater	1	1
013 Thermistor Packing	1	1	139 Heat Exchanger Bracket	2	2	443 Condensate Drain Tube	1	1	742 Anti Frost Heater-Indoor	1	-
014 Rubber Bushing	1	1	143 Primary Heat Exchanger Assembly	1	1	444 Band	1	1	743 Anti Frost Heater-Outdoor	-	1
015 Rain Tray Plate	1	-	144 Flue Connection Assembly	1	-	445 Band	1	1	744 Condensate Trap Harness	1	1
016 Reinforcement Bracket	1	1	145 O-ring	1	-	447 Connection Harness	1	1	801 Screw	4	4
030 Top Plate Insulation	1	-	149 Gasket	1	-	450 Cold Water Pipe	1	1	802 Washer	4	4
100 Gas Control Assembly	1	1	159 Outlet Pipe Packing	1	-	461 Water Flow Turbine	1	1	804 Screw	1	1
101 Test Port Set Screw	2	2	160 Secondary Heat Exchanger-Indoor	1	-	700 PC Board	1	1	805 Screw	2	2
102 Gas Inlet	1	1	161 Secondary Heat Exchanger-Outdoor	-	1	702 PC Board Cover Side	1	1	809 O-ring	3	3
103 Burner Unit Assy	1	1	162 Outlet Pipe	1	-	703 PC Board Cover Front	1	1	810 Self Tapping Screw	2	-
104 Burner Case Front Panel	1	1	163 O-ring	2	-	706 Ignitor	1	1	811 Exhaust Gas Thermistor Packing	1	-
106 Packing	1	1	165 Connecting Plate	1	1	707 High Tension Cord	1	1	812 O-ring	1	1
107 Burners	17	17	166 Gasket	1	1	708 Status Monitor Plate	1	1	813 O-ring	2	2
108 Burner Case Back Panel	1	1	170 Exhaust Adapter Ring	1	-	709 Electrode Sleeve	1	1	814 O-ring	2	2
109 Damper	1	1	171 Exhaust O-Ring	1	-	710 Thermistor	1	1	815 O-ring	3	3
110 Manifold Assembly(LPG)	1	1	172 Air Intake Pipe	1	-	711 Thermal Fuse Clip	10	10	817 O-ring	1	1
110 Manifold Assembly(NG)	1	1	173 Air Intake O-Ring	1	-	716 Heater Clip	2	2	818 Exhaust Adapter Ring Fastener	1	-
111 Comb Chamber Packing Upper	1	1	174 Intake Cap	1	-	717 Heater Clip	3	3	819 Intake Cap Fastener	1	-
112 Comb Chamber Packing Lower	1	1	175 Air Intake Pipe Gasket	1	-	718 Heater Clip A	-	1	820 Screw	2	2
114 Comb Chamber Front Panel	1	1	176 Air Intake Assembly	1	-	719 Main Solenoid Harness	1	1	822 O-ring	1	1
115 Comb Chamber Packing-2	1	1	400 Water Inlet	1	1	720 Power cord	1	-	824 O-ring	2	2
116 Electrode	1	1	401 Water Flow Servo & Sensor	1	1	721 Sensor Harness-Indoor	1	-	825 Packing	1	1
117 Flame Rod	2	2	402 Rectifier	1	1	722 Sensor Harness-Outdoor	-	1	830 O-ring	2	2
118 Electrode Bracket	1	1	404 Pipe Bracket	1	1	723 Thermal Fuse Harness	1	1	888 Manual	1	1
									889 Tech Sheet	1	1