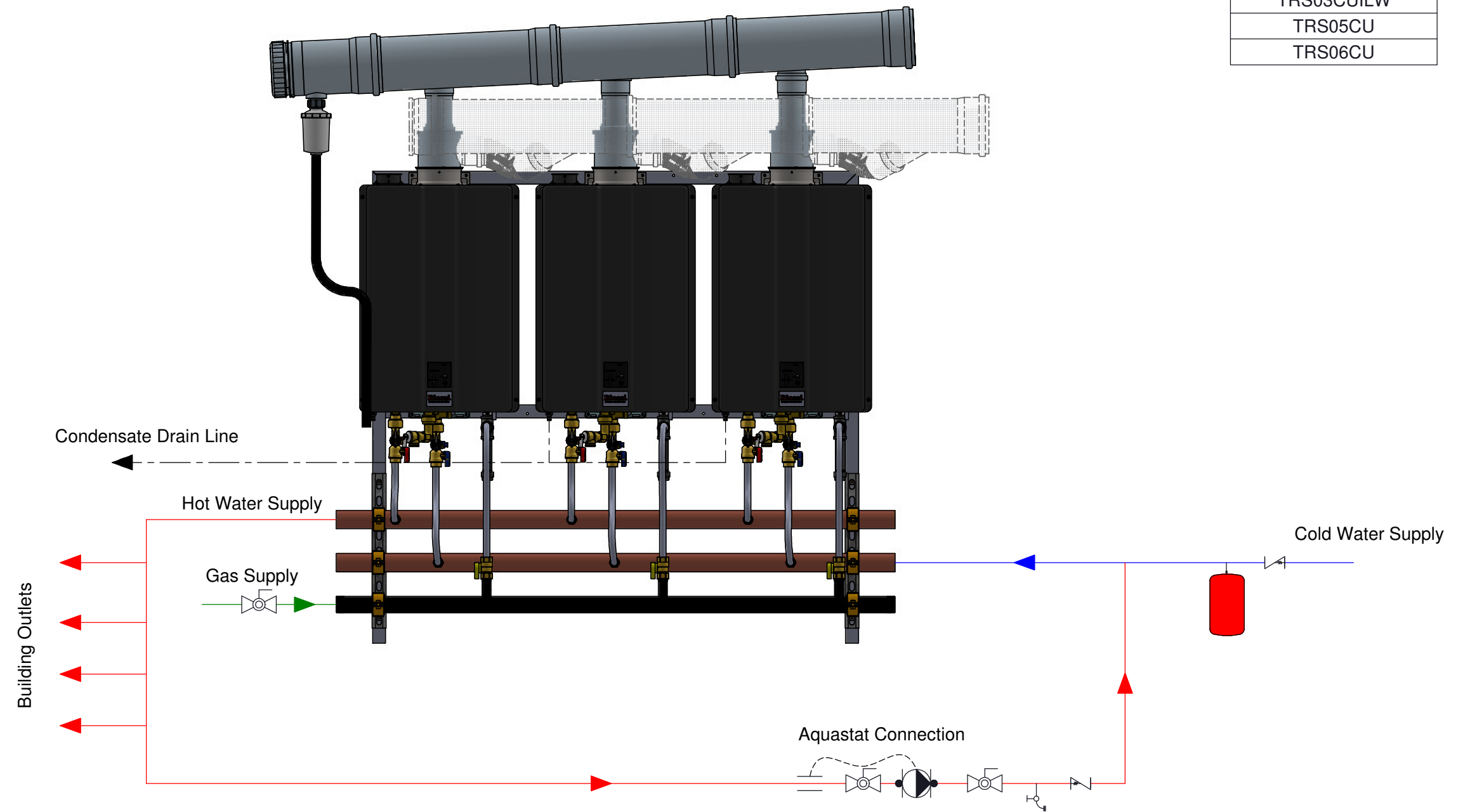


Applicable Rack Configurations
TRW03CU
TRS03CUIL
TRS03CUILW
TRS05CU
TRS06CU



Note:
 Condensate piping shall be CPVC or PVC material and shall not be smaller than the drain connection on the appliance.

Components of the condensate drainage shall be CPVC or PVC material. All components shall be selected for the pressure and temperature rating of the installation.

Where the drain pipes from more than one unit are manifolded together for condensate drainage, the pipe or tubing shall be sized in accordance with an approved method as dictated by local codes.

Condensate must be disposed of according to local codes.

Pump should be controlled by an Aquastat, Timer or Combination Aquastat and Timer.

Pump should be sized to maintain circulation loop temperature.

Pump should be sized to overcome the pressure loss through the tankless water heater, supply, and return plumbing. Reference the Rinnai Hot Water System Design Manual for pump sizing guidelines.

Pump should be of bronze or stainless construction.

Reference the Common Vent Installation Manual for common vent options. Air intake shown for direct vent installations only.

Reference Water Heater IO Manual for cascading instructions.

Ensure tankless heaters are installed in parallel to maximize system output.

Contact Application Engineering Center of Excellence if alternate piping arrangements will be considered.

Balancing of hot water risers may be necessary after installation to ensure consistent hot water delivery.

Condensate Drain Line

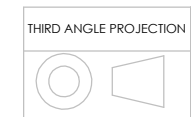
Hot Water Supply

Gas Supply

Cold Water Supply

Aquastat Connection

Building Outlets



RINNAI AMERICA CORPORATION
 103 INTERNATIONAL DRIVE
 PEACHTREE CITY, GA 30269
 1-800-621-9419

PROPRIETARY AND CONFIDENTIAL

THE INFORMATION CONTAINED IN THIS DRAWING IS THE SOLE PROPERTY OF RINNAI AMERICA. ANY REPRODUCTION IN PART OR AS A WHOLE WITHOUT THE WRITTEN PERMISSION OF RINNAI AMERICA IS PROHIBITED.

This is not an engineering drawing; it is intended only as a guide and not as a replacement for professional engineering project drawings. This drawing is not intended to describe a complete system. It is up to the contractor or engineer to determine the necessary components and configuration of the particular system to be installed. The drawing does not imply compliance with local building code requirements. It is the responsibility of the engineer or contractor to ensure that the installation is in accordance with all local building codes. Confer with local building officials before installation.

UNLESS OTHERWISE SPECIFIED:

TOLERANCES:
 Sheet Metal X.XX = ±0.030
 X.XXX = ±0.010
 Fraction = ±1/32
 Angle = ±1.0°
 MACHINED X.XXX = ±0.005
 Angle = ±0.010°

INTERPRET GEOMETRIC TOLERANCING PER:

MATERIAL

FINISH

DO NOT SCALE DRAWING

	NAME	DATE
DRAWN	AB	11.13.2018
CHECKED	SH	12.15.2018
ENG APPR.	RS	12.15.2018

COMMENTS:

Rinnai

TITLE:
Systems Design Manual
 Tankless Rack System
 3-6 Unit InLine Back 2 Back Circulation

SIZE	DWG. NO.	REV
B	TRSCU-IL3BB6-CIRC	

SCALE: NTS WEIGHT: SHEET 1 OF 1