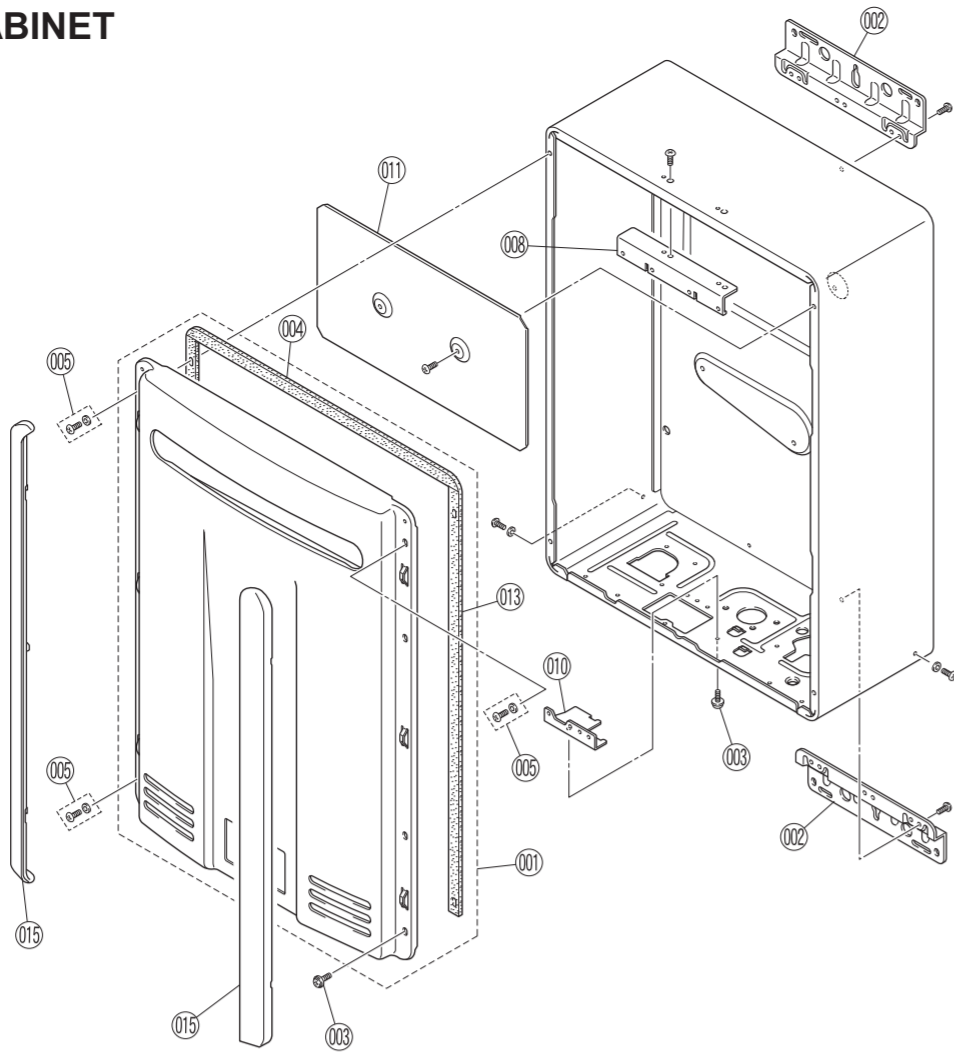
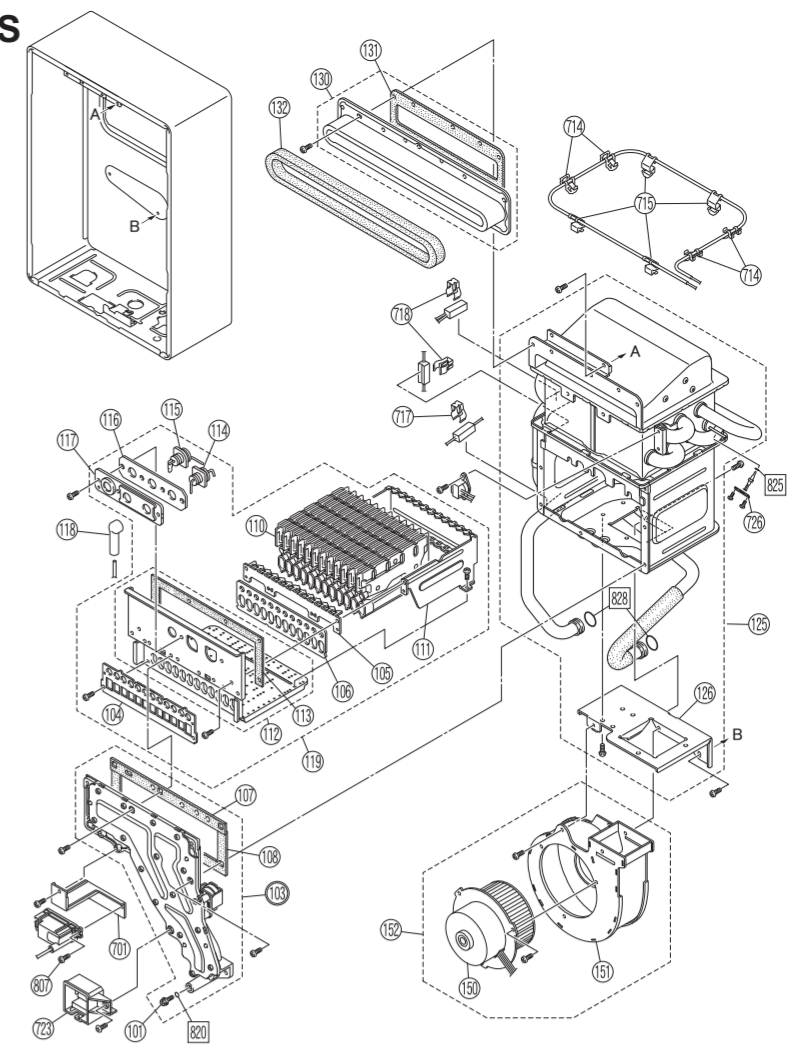


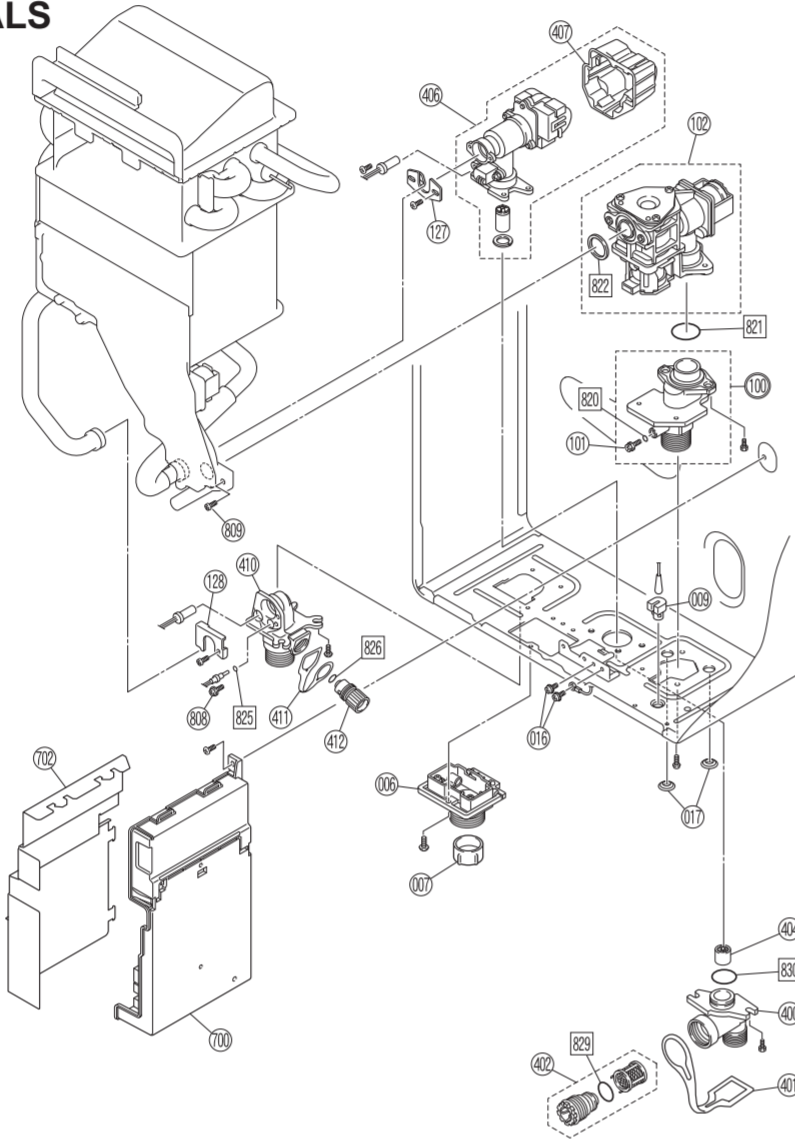
EXPLODED VIEW - CABINET



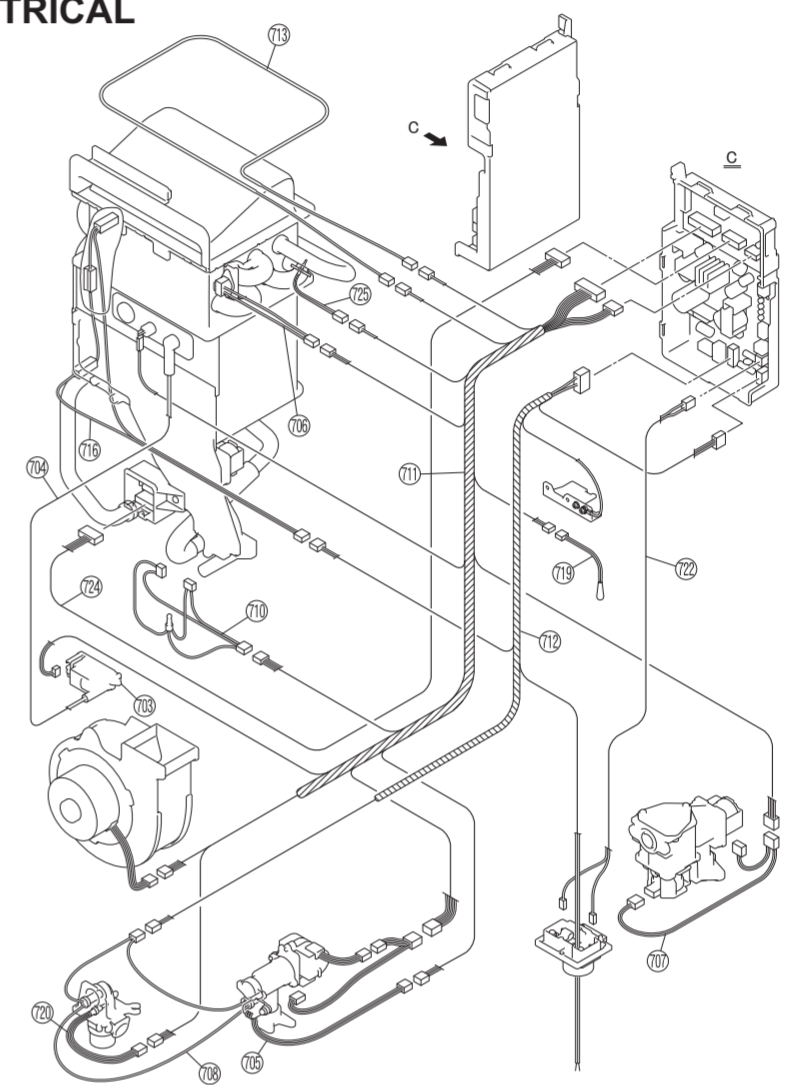
EXPLODED VIEW - INTERNALS



EXPLODED VIEW - INTERNALS

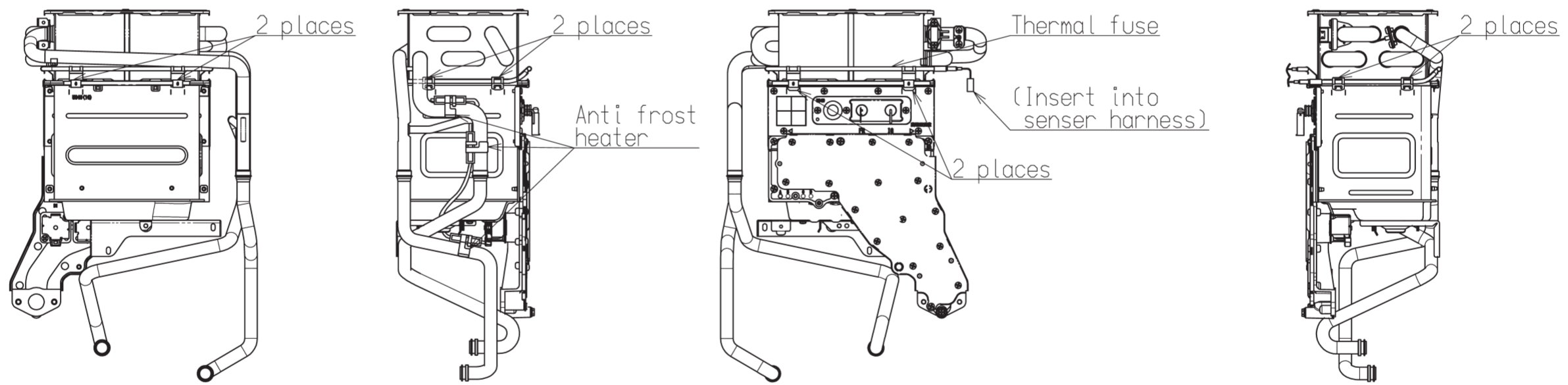


EXPLODED VIEW - ELECTRICAL



THERMAL FUSE LOCATION

When replacing heat exchanger, thermal fuse must be properly installed and secured. Refer to the following illustration.



PARTS LIST

Number	Description	Part Number	Quantity	Number	Description	Part Number	Quantity	Number	Description	Part Number	Quantity
001	Front Panel	109000787	1	117	Electrode Bracket	109000780	1	711	Sensor Harness	105000303	1
002	Wall Bracket	109000788	2	118	Electrode Sleeve	AU206-218	1	712	Power Supply Harness	105000304	1
003	Ground Screw	109000076	2	119	Burner Unit Assembly	106000152	1	713	Fuse Harness	105000305	1
004	Front Panel Packing	109000789	1	125	Heat Exchange Assembly	107000406	1	714	Fuse Holder	109000786	4
005	Screw	CP-30580-JW	3	126	Comb Chamber Bracket	109000781	1	715	Fuse Holder	109000499	4
006	Quick Control Connection	109000048	1	127	Pipe Bracket	109000782	1	716	Heater	105000306	1
007	Cable Seal Packing	AU169-126	1	128	Pipe Bracket	109000783	1	717	Heater Clip	U250-625	1
008	Top Reinforcement	109000790	1	130	Flue Outlet	108000103	1	718	Heater Clip	109000795	2
009	Thermistor Grommet	109000490	1	131	Flue Outlet Packing	U216-406X03	1	719	Thermistor Sensor	105000296	1
010	Connection Reinforcement Plate	109000774	1	132	Seal Packing	109000054	1	720	Twin Thermistor	105000297	1
011	Heat Shield Plate	109000775	1	150	Fan Motor Assembly	108000100	1	722	Remote Control Harness	105000052	1
013	Front Panel Packing	109000791	2	151	Fan Casing Assembly	108000101	1	723	Status Monitor	105000307	1
015	Screw Cover	109000792	2	152	Fan Motor All Assembly	108000102	1	724	Status Monitor Harness	105000308	1
016	Ground Screw	109000793	2	400	3/4 Water Inlet	H73-501-2	1	725	Heat Exchanger Thermistor	105000309	1
017	Rubber Bushing	AU105-113	2	401	Plug Band	109000018	1	726	Thermistor Bracket	CP-90172	1
100	3/4 Gas Inlet	106000153	1	402	Filter Assembly	H98-510-S	1	807	Ground Screw	CP-80452	1
101	Test Port Set Screw	C10D-5	2	404	Rectifier	M8D1-15	1	808	Screw	U217-449	1
102	Gas Control Assembly	106000154	1	406	Water Flow Servo & Sensor Assembly	107000404	1	809	Screw	108000021	2
103	Manifold Assembly (LPG)	106000144	1	407	Water Flow Servo Cover	107000093	1	820	O-Ring	M10B-13-4	2
103	Manifold Assembly (NG)	106000145	1	410	3/4 Water Outlet	107000407	1	821	O-Ring	M10B-1-24	1
104	Damper	106000146	1	411	Plug Band	109000784	1	822	Packing	109000181	1
105	Burner Case Front Panel	106000147	1	412	Drain Valve	107000405	1	825	O-Ring	M10B-2-4	2
106	Packing	109000776	1	700	PC Board	105000298	1	826	O-Ring	M10B-2-7	1
107	Manifold Upper Packing	109000777	1	701	Igniter Bracket	109000785	1	828	O-Ring	M10B-2-14	2
108	Manifold Lower Packing	109000778	1	702	PCB Electric Cover	109000794	1	829	O-Ring	M10B-2-16	1
110	Burners	106000148	12	703	Igniter	105000295	1	830	O-Ring	M10B-2-18	1
111	Burner Case Back Panel	106000149	1	704	Height Tension Cord	BH38-710-200	1	882	Card Board Set-LPG	Box-V53De LPG	1
112	Comb Chamber Front Panel	106000150	1	705	MR Sensor	105000176	1	882	Card Board Set-NG	Box-V53De NG	1
113	Comb Chamber Front Panel Packing	106000151	1	706	Over Heat Switch	105000299	1	884	Styrofoam Set	109000797	1
114	Electrode	105000293	1	707	Main Solenoid Harness	105000300	1	888	Manual	100000561	1
115	Flame Rod	105000294	1	708	Valve Heater 120V	105000301	1	889	Tech Sheet	100000562	1
116	Electrode Packing	109000779	1	710	Solenoid Harness	105000302	1				